

CRESTLINE®

ELITE PREMIUM WOOD WINDOWS & PATIO DOORS



ALUMINUM CLAD WINDOWS & PATIO DOORS
TECHNICAL SPECIFICATIONS



Crestline
Windows & Doors



FREE
GLASS BREAKAGE
WARRANTY

Technical Specifications

Double-Hung Windows.....	3
Casement Windows	11
Awning Windows.....	20
Special Shape Windows.....	24
Hinged Patio Doors.....	26
Sliding Patio Doors	41

Double-Hung Window (8109) Elevations

Unit Dimension	1'-5 1/2"	1'-11 1/2"	2'-5 1/2"	2'-7 1/2"	2'-9 1/2"	2'-11 1/2"	3'-1 1/2"	3'-5 1/2"	3'-11 1/2"
Rough Opening	1'-6"	2'-0"	2'-6"	2'-8"	2'-10"	3'-0"	3'-2"	3'-6"	4'-0"
Soft Metric R.O. (mm)	457	610	762	813	864	914	965	1067	1219
Glass Size	12"	18"	24"	26"	28"	30"	32"	36"	42"
2'-11 1/2"									
3'-0"									
3'-5 1/2"									
3'-11 1/2"									
4'-0"									
4'-5 1/2"									
4'-8"									
4'-11 1/2"									
5'-0"									
5'-1 1/2"									
5'-5 1/2"									
5'-11 1/2"									

Shaded sizes meet or exceed egress opening requirements per 2006 IBC (International Building Code) minimum dimensions of 20" clear opening width, 24" clear opening height, 5.7 sq. ft. clear opening and floor to bottom of clear opening not to exceed 44".
Verify local or state egress opening sizes with your local building inspector.

Double-Hung Window (8109) Elevations

Unit Dimension	1'-5 1/2"	1'-11 1/2"	2'-5 1/2"	2'-7 1/2"	2'-9 1/2"	2'-11 1/2"	3'-1 1/2"	3'-5 1/2"	3'-11 1/2"
Rough Opening	1'-6"	2'-0"	2'-6"	2'-8"	2'-10"	3'-0"	3'-2"	3'-6"	4'-0"
Soft Metric R.O. (mm)	457	610	762	813	864	914	965	1067	1219
Glass Size	12"	18"	24"	26"	28"	30"	32"	36"	42"

6'-5 1/2" 6'-6" 1981 34 11/16"									
	1666	2066	2666	2866	21066	3066	3266	3666	4066
6'-11 1/2" 7'-0" 2134 37 11/16"									
	1670	2070	2670	2870	21070	3070	3270	3670	4070

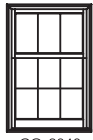
Shaded sizes meet or exceed egress opening requirements per 2006 IBC (International Building Code) minimum dimensions of 20" clear opening width, 24" clear opening height, 5.7 sq. ft. clear opening and floor to bottom of clear opening not to exceed 44".

Verify local or state egress opening sizes with your local building inspector.

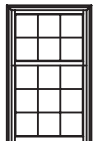
Optional Sash Configurations

Available for these heights, and all widths.

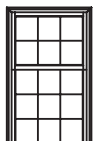
Cottage Sash Configuration



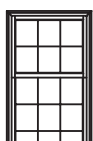
CO-2840



CO-2846

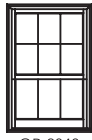


CO-2848

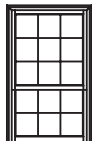


CO-2850

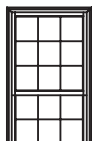
Oriel Sash Configuration



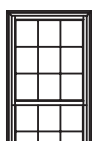
OR-2840



OR-2846

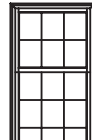


OR-2848

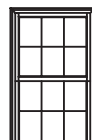


OR-2850

Cottage Sash Configuration

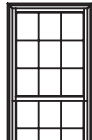


CO-2852

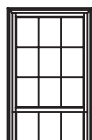


CO-2856

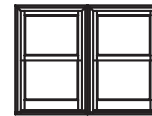
Oriel Sash Configuration



OR-2852



OR-2856



2 - Wide
Width Dimensions

Base Code	Unit Dimension (Frame Size)	Rough Opening	Soft Metric R.O. (mm)
DH2-16	2'-11 1/16"	2'-11 9/16"	903
DH2-20	3'-11 1/16"	3'-11 9/16"	1208
DH2-26	4'-11 1/16"	4'-11 9/16"	1208
DH2-28	5'-3 1/16"	5'-3 9/16"	1411
DH2-210	5'-7 1/16"	5'-7 9/16"	1716
DH2-30	5'-11 1/16"	5'-11 9/16"	1818
DH2-32	6'-3 1/16"	6'-3 9/16"	1919
DH2-40	7'-11 1/16"	7'-11 9/16"	2427



3 - Wide
Width Dimensions

Base Code	Unit Dimension (Frame Size)	Rough Opening	Soft Metric R.O. (mm)
DH3-16	4'-4 5/8"	4'-5 1/8"	1372
DH3-20	5'-10 5/8"	5'-11 1/8"	1807
DH3-26	7'-4 5/8"	7'-5 1/8"	2264
DH3-28	7'-10 5/8"	7'-11 1/8"	2416
DH3-210	8'-4 5/8"	8'-5 1/8"	2569
DH3-30	8'-10 5/8"	8'-11 1/8"	2721
DH3-32	9'-4 5/8"	9'-5 1/8"	2873
DH3-40	11'-10 5/8"	11'-11 1/8"	3635

Double-Hung Picture Window (8116) Elevations

Unit Dimension	1'-5 1/2"	1'-11 1/2"	2'-5 1/2"	2'-7 1/2"	2'-9 1/2"	2'-11 1/2"	3'-1 1/2"	3'-5 1/2"	3'-11 1/2"
Rough Opening	1'-6"	2'-0"	2'-6"	2'-8"	2'-10"	3'-0"	3'-2"	3'-6"	4'-0"
Soft Metric R.O. (mm)	457	610	762	813	864	914	965	1067	1219
Glass Size	12"	18"	24"	26"	28"	30"	32"	36"	42"

1630	2030	2630	2830	21030	3030	3230	3630	4030
1636	2036	2636	2836	21036	3036	3236	3636	4036
1640	2040	2640	2840	21040	3040	3240	3640	4040
1646	2046	2646	2846	21046	3046	3246	3646	4046
1648	2048	2648	2848	21048	3048	3248	3648	4048
1650	2050	2650	2850	21050	3050	3250	3650	4050
1652	2052	2652	2852	21052	3052	3252	3652	4052
1656	2056	2656	2856	21056	3056	3256	3656	4056
1660	2060	2660	2860	21060	3060	3260	3660	4060
1666	2066	2666	2866	21066	3066	3266	3666	4066
1670	2070	2670	2870	21070	3070	3270	3670	4070

2 - Wide Width Dimensions			
Base Code	Unit Dimension (Frame Size)	Rough Opening	Soft Metric R.O. (mm)
DHP2-16	2'-11 1/16"	2'-11 9/16"	903
DHP2-20	3'-11 1/16"	3'-11 9/16"	1208
DHP2-26	4'-11 1/16"	4'-11 9/16"	1208
DHP2-28	5'-3 1/16"	5'-3 9/16"	1411
DHP2-210	5'-7 1/16"	5'-7 9/16"	1716
DHP2-30	5'-11 1/16"	5'-11 9/16"	1818
DHP2-32	6'-3 1/16"	6'-3 9/16"	1919
DHP2-40	7'-11 1/16"	7'-11 9/16"	2427

3 - Wide Width Dimensions			
Base Code	Unit Dimension (Frame Size)	Rough Opening	Soft Metric R.O. (mm)
DHP3-16	4'-4 5/8"	4'-5 1/8"	1372
DHP3-20	5'-10 5/8"	5'-11 1/8"	1807
DHP3-26	7'-4 5/8"	7'-5 1/2"	2264
DHP3-28	7'-10 5/8"	7'-11 1/8"	2416
DHP3-210	8'-4 5/8"	8'-5 1/8"	2569
DHP3-30	8'-10 5/8"	8'-11 1/8"	2721
DHP3-32	9'-4 5/8"	9'-5 1/8"	2873
DHP3-40	11'-10 5/8"	11'-11 1/8"	3635

Verify local or state egress opening sizes with your local building inspector.

Double-Hung Transom Window (8117) Elevations

Unit Dimension	1'-5 1/2"	1'-11 1/2"	2'-5 1/2"	2'-7 1/2"	2'-9 1/2"	2'-11 1/2"	3'-1 1/2"	3'-5 1/2"	3'-11 1/2"
Rough Opening	1'-6"	2'-0"	2'-6"	2'-8"	2'-10"	3'-0"	3'-2"	3'-6"	4'-0"
Soft Metric R.O. (mm)	457	610	762	813	864	914	965	1067	1219
Glass Size	12"	18"	24"	26"	28"	30"	32"	36"	42"

1'-5 1/2"									
1'-7 1/2"									
1'-11 1/2"									
2'-5 1/2"									
2'-11 1/2"									

2 - Wide

Width Dimensions

Base Code	Unit Dimension (Frame Size)	Rough Opening	Soft Metric R.O. (mm)
DHT2-16	2'-11 1/16"	2'-11 9/16"	903
DHT2-20	3'-11 1/16"	3'-11 9/16"	1208
DHT2-26	4'-11 1/16"	4'-11 9/16"	1208
DHT2-28	5'-3 1/16"	5'-3 9/16"	1411
DHT2-210	5'-7 1/16"	5'-7 9/16"	1716
DHT2-30	5'-11 1/16"	5'-11 9/16"	1818
DHT2-32	6'-3 1/16"	6'-3 9/16"	1919
DHT2-40	7'-11 1/16"	7'-11 9/16"	2427

3 - Wide

Width Dimensions

Base Code	Unit Dimension (Frame Size)	Rough Opening	Soft Metric R.O. (mm)
DHT3-16	4'-4 5/8"	4'-5 1/8"	1372
DHT3-20	5'-10 5/8"	5'-11 1/8"	1807
DHT3-26	7'-4 5/8"	7'-5 1/2"	2264
DHT3-28	7'-10 5/8"	7'-11 1/8"	2416
DHT3-210	8'-4 5/8"	8'-5 1/8"	2569
DHT3-30	8'-10 5/8"	8'-11 1/8"	2721
DHT3-32	9'-4 5/8"	9'-5 1/8"	2873
DHT3-40	11'-10 5/8"	11'-11 1/8"	3635

Verify local or state egress opening sizes with your local building inspector.

Double-Hung Window (8109) Opening Specifications

Call Size	Sq. Ft. Clear Opening	Clear Opening		Sq. Ft. Daylight Opening	Sq. Ft. Vent	Top of Subfloor to Top of Sill Stop ^a	Sq. Ft. Overall Unit Area ^b
		Width	Height				
1630	1.217	13.914	12.600	1.938	1.217	48.063	4.31
1636	1.507	13.914	15.600	2.397	1.507	42.063	5.04
1640	1.797	13.914	18.600	2.855	1.797	36.063	5.77
1646	2.087	13.914	21.600	3.313	2.087	30.063	6.50
1648	2.184	13.914	22.600	3.466	2.184	28.063	6.74
1650	2.377	13.914	24.600	3.772	2.377	24.063	7.23
1656	2.667	13.914	27.600	4.230	2.667	42.063	7.96
1660	2.957	13.914	30.600	4.688	2.957	36.063	8.69
1666	3.013	13.914	31.180	5.147	3.013	30.063	9.42
1670	3.013	13.914	31.180	5.605	3.013	24.063	10.15
2030	1.742	19.914	12.600	2.996	1.742	48.063	5.79
2036	2.157	19.914	15.600	3.704	2.157	42.063	6.77
2040	2.572	19.914	18.600	4.412	2.572	36.063	7.75
2046	2.987	19.914	21.600	5.121	2.987	30.063	8.73
2048	3.125	19.914	22.600	5.357	3.125	28.063	9.06
2050	3.402	19.914	24.600	5.829	3.402	24.063	9.71
2056	3.817	19.914	27.600	6.537	3.817	42.063	10.69
2060	4.232	19.914	30.600	7.246	4.232	36.063	11.67
2066	4.095	19.914	29.610	7.954	4.095	30.063	12.65
2070	4.095	19.914	29.610	8.662	4.095	24.063	13.63
2630	2.267	25.914	12.600	4.053	2.267	48.063	7.27
2636	2.807	25.914	15.600	5.011	2.807	42.063	8.50
2640	3.347	25.914	18.600	5.970	3.347	36.063	9.73
2646	3.887	25.914	21.600	6.928	3.887	30.063	10.96
2648	4.067	25.914	22.600	7.247	4.067	28.063	11.37
2650	4.427	25.914	24.600	7.886	4.427	24.063	12.19
2656	4.967	25.914	27.600	8.845	4.967	42.063	13.42
2660	5.329	25.914	29.610	9.803	5.329	36.063	14.65
2666	5.329	25.914	29.610	10.761	5.329	30.063	15.88
2670	5.329	25.914	29.610	11.720	5.329	24.063	17.11
2830	2.442	27.914	12.600	4.405	2.442	48.063	7.77
2836	3.024	27.914	15.600	5.447	3.024	42.063	9.08
2840	3.606	27.914	18.600	6.489	3.606	36.063	10.39
2846	4.187	27.914	21.600	7.530	4.187	30.063	11.70
2848	4.381	27.914	22.600	7.878	4.381	28.063	12.14
2850	4.769	27.914	24.600	8.572	4.769	24.063	13.02
2856	5.350	27.914	27.600	9.614	5.350	42.063	14.33
2860	5.740	27.914	29.610	10.655	5.740	36.063	15.64
2866	5.740	27.914	29.610	11.697	5.740	30.063	16.95
2870	5.740	27.914	29.610	12.739	5.740	24.063	18.27
21030	2.617	29.914	12.600	4.758	2.617	48.063	8.26
21036	3.241	29.914	15.600	5.883	3.241	42.063	9.65
21040	3.864	29.914	18.600	7.008	3.864	36.063	11.05
21046	4.487	29.914	21.600	8.133	4.487	30.063	12.45
21048	4.695	29.914	22.600	8.508	4.695	28.063	12.91
21050	5.110	29.914	24.600	9.258	5.110	24.063	13.84
21056	5.734	29.914	27.600	10.383	5.734	42.063	15.24
21060	6.151	29.914	29.610	11.508	6.151	36.063	16.63
21066	6.151	29.914	29.610	12.633	6.151	30.063	18.03
21070	6.151	29.914	29.610	13.758	6.151	24.063	19.43

Verify local or state egress opening sizes with your local building inspector.

DOUBLE HUNG

Double-Hung Window (8109) Opening Specifications

Call Size	Sq. Ft. Clear Opening	Clear Opening		Sq. Ft. Daylight Opening	Sq. Ft. Vent	Top of Subfloor to Top of Sill Stop ^a	Sq. Ft. Overall Unit Area ^b
		Width	Height				
3030	2.792	31.914	12.600	5.110	2.792	48.063	8.75
3036	3.457	31.914	15.600	6.319	3.457	42.063	10.23
3040	4.122	31.914	18.600	7.527	4.122	36.063	11.71
3046	4.787	31.914	21.600	8.735	4.787	30.063	13.19
3048	5.009	31.914	22.600	9.138	5.009	28.063	13.68
3050	5.452	31.914	24.600	9.944	5.452	24.063	14.67
3050(E)	5.701	31.914	25.724	9.944	5.701	24.063	14.67
3052	5.701	31.914	25.724	10.346	5.701	22.063	15.16
3056	6.117	31.914	27.600	11.152	6.117	42.063	16.15
3060	6.562	31.914	29.610	12.360	6.562	36.063	17.63
3066	6.562	31.914	29.610	13.569	6.562	30.063	19.11
3070	6.562	31.914	29.610	14.777	6.562	24.063	20.59
3149(E)	5.721	33.664	24.474	10.010	5.721	26.563	14.74
3230	2.967	33.914	12.600	5.463	2.967	48.063	9.24
3236	3.674	33.914	15.600	6.754	3.674	42.063	10.81
3240	4.381	33.914	18.600	8.046	4.381	36.063	12.37
3246	5.087	33.914	21.600	9.338	5.087	30.063	13.93
3248	5.323	33.914	22.600	9.768	5.323	28.063	14.45
3250	5.794	33.914	24.600	10.629	5.794	24.063	15.49
3256	6.500	33.914	27.600	11.921	6.500	42.063	17.06
3260	6.974	33.914	29.610	13.213	6.974	36.063	18.62
3266	6.974	33.914	29.610	14.504	6.974	30.063	20.18
3270	6.974	33.914	29.610	15.796	6.974	24.063	21.74
3630	3.317	37.914	12.600	6.168	3.317	48.063	10.23
3636	4.107	37.914	15.600	7.626	4.107	42.063	11.96
3640	4.897	37.914	18.600	9.084	4.897	36.063	13.69
3646	5.687	37.914	21.600	10.543	5.687	30.063	15.42
3648	5.950	37.914	22.600	11.029	5.950	28.063	15.99
3650	6.477	37.914	24.600	12.001	6.477	24.063	17.15
3656	7.267	37.914	27.600	13.459	7.267	42.063	18.88
3660	7.796	37.914	29.610	14.918	7.796	36.063	20.61
3666	7.796	37.914	29.610	16.376	7.796	30.063	22.34
3670	7.368	37.914	27.986	17.834	7.368	24.063	24.06
4030	3.842	43.914	12.600	7.225	3.842	48.063	11.71
4036	4.757	43.914	15.600	8.933	4.757	42.063	13.69
4040	5.672	43.914	18.600	10.641	5.672	36.063	15.67
4046	6.587	43.914	21.600	12.350	6.587	30.063	17.65
4048	6.892	43.914	22.600	12.919	6.892	28.063	18.31
4050	7.502	43.914	24.600	14.058	7.502	24.063	19.63
4056	8.417	43.914	27.600	15.766	8.417	42.063	21.61
4060	8.535	43.914	27.986	17.475	8.535	36.063	23.59
4066	8.535	43.914	27.986	19.183	8.535	30.063	25.56
4070	8.535	43.914	27.986	20.891	8.535	24.063	27.54

Shaded sizes meet or exceed egress opening requirements per 2006 IBC (International Building Code) minimum dimensions of 20" clear opening width, 24" clear opening height, 5.7 sq. ft. clear opening and floor to bottom of clear opening not to exceed 44".

^aFloor to bottom of clear opening dimensions are based on 82" header height.

All units over 66 height are based off 106" header height for floor to clear opening dimension

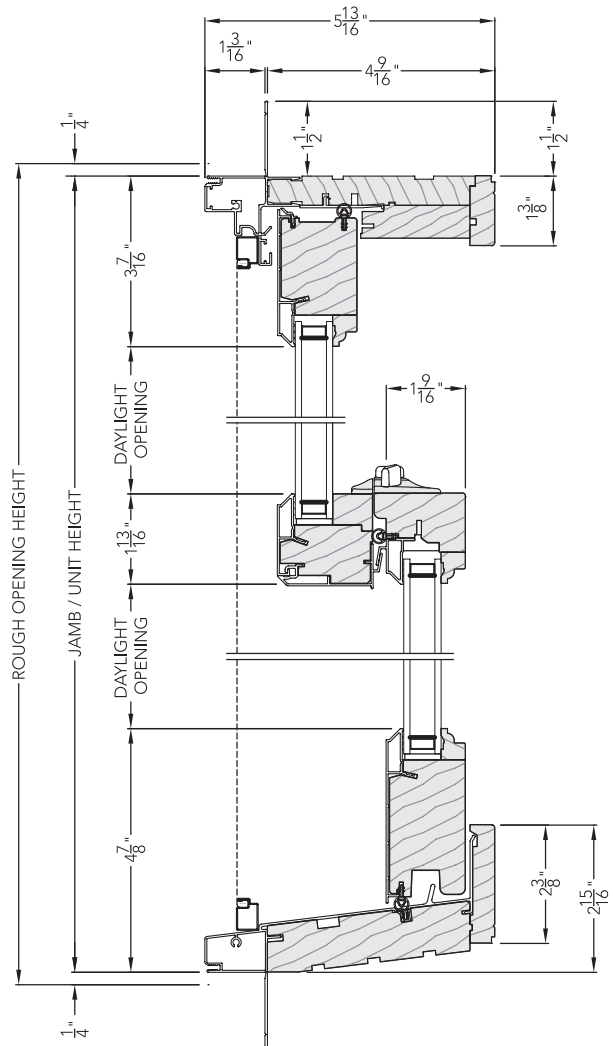
^bSq. Ft. Overall Unit Area is calculated on the jamb dimension.

3050 (E) and 3149 (E) have a slightly modified sash proportion to meet egress. Top sash glass is 2" taller than the bottom. Sash stop must be removed to meet egress requirements.

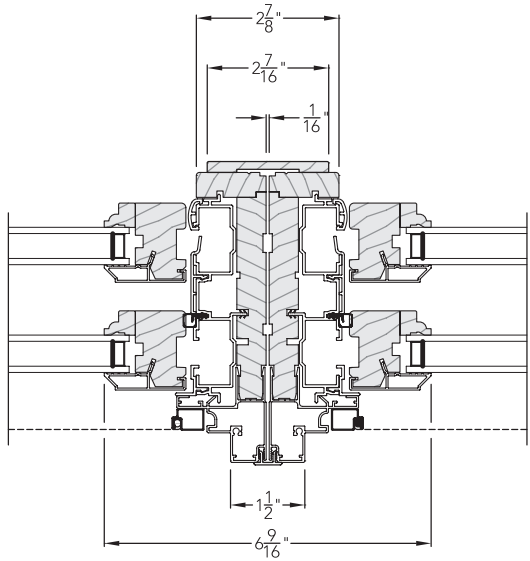
3052 R.O. (36" x 62") meets egress when sash stop is not used.

Verify local or state egress opening sizes with your local building inspector.

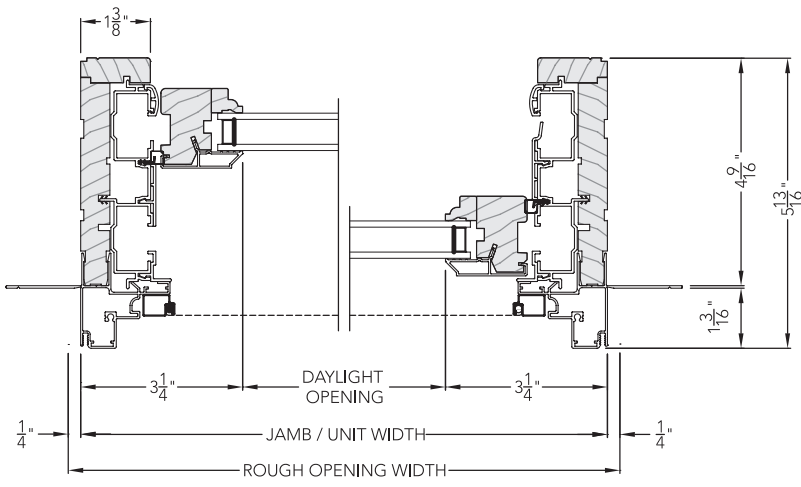
Double-Hung (8109) Cross Sections



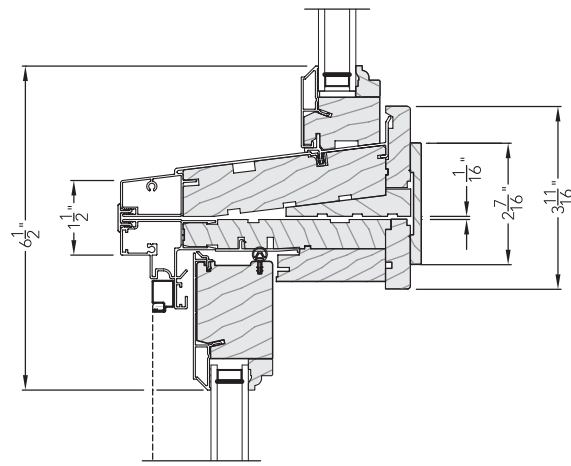
ELITE PREMIUM CLAD DOUBLE HUNG WINDOW
Vertical Section



ELITE PREMIUM CLAD DOUBLE HUNG WINDOW
Horizontal Mull Section - DH / DH

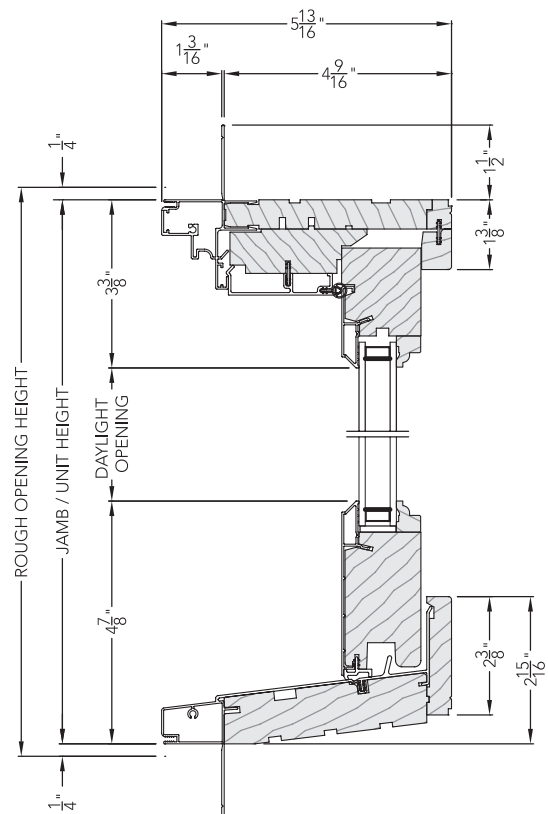


ELITE PREMIUM CLAD DOUBLE HUNG WINDOW
Horizontal Section

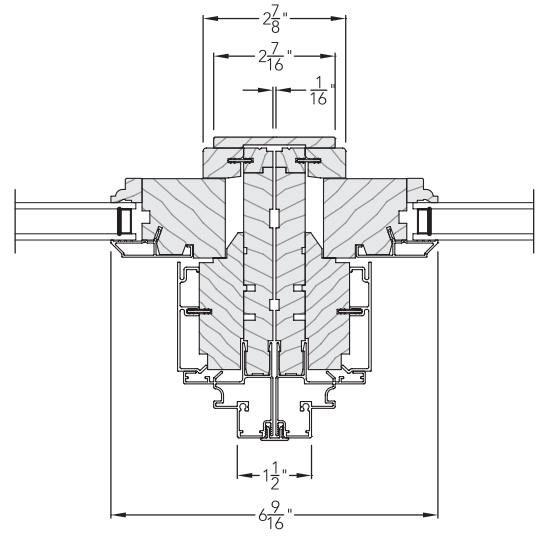


ELITE PREMIUM CLAD DOUBLE HUNG WINDOW
Vertical Section - Transom Stack over DH

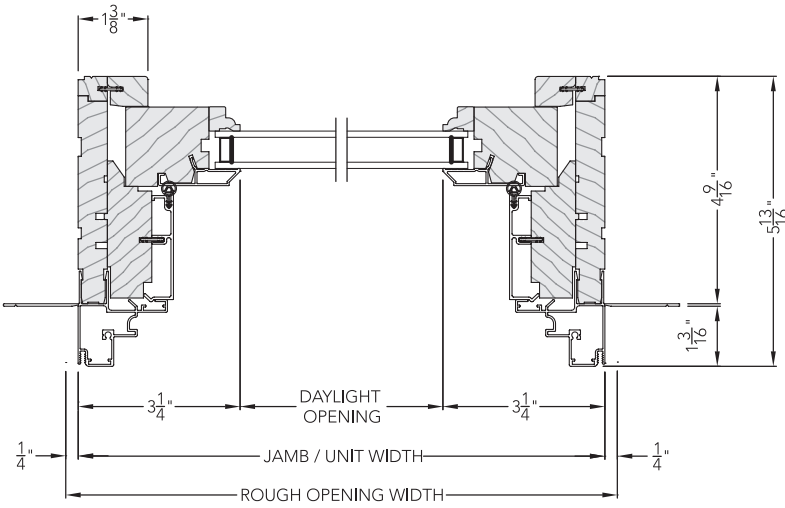
Double-Hung (8116/8117) Cross Sections



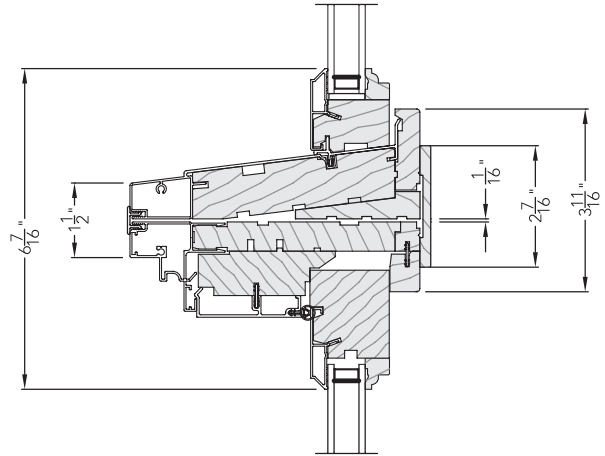
ELITE PREMIUM CLAD DOUBLE HUNG PICTURE
Vertical Section



ELITE PREMIUM CLAD DOUBLE HUNG PICTURE
Horizontal Mull Section - Picture / Picture



ELITE PREMIUM CLAD DOUBLE HUNG PICTURE
Horizontal Section



ELITE PREMIUM CLAD DOUBLE HUNG PICTURE
Vertical Section - Transom Stack over Picture

Casement Window (8205) Elevations

Unit Dimension	1'-5 1/2"	1'-7 1/2"	1'-11 1/2"	2'-3 1/2"	2'-5 1/2"	2'-7 1/2"	2'-11 1/2"
Rough Opening	1'-6"	1'-8"	2'-0"	2'-4"	2'-6"	2'-8"	3'-0"
Soft Metric R.O. (mm)	457	508	610	711	762	813	914
Glass Size	13 3/8"	15 3/8"	19 3/8"	23 3/8"	25 3/8"	27 3/8"	31 3/8"

1'-11 1/2"	1620	1820	2020	2420	2620	2820	3020
2'-5 1/2"	1626	1826	2026	2426	2626	2826	3026
2'-11 1/2"	1630	1830	2030	2430	2630	2830	3030
3'-5 1/2"	1636	1836	2036	2436	2636	2836	3036
3'-11 1/2"	1640	1840	2040	2440	2640	2840	3040
4'-5 1/2"	1646	1846	2046	2446	2646	2846	3046
4'-11 1/2"	1650	1850	2050	2450	2650	2850	3050
5'-5 1/2"	1656	1856	2056	2456	2656	2856	3056
5'-11 1/2"	1660	1660	2060	2460	2660	2860	3060
6'-5 1/2"	1666	1666	2066	2466	2666	2866	3066

Shaded sizes meet or exceed egress opening requirements per 2006 IBC (International Building Code) minimum dimensions of 20" clear opening width, 24" clear opening height, 5.7 sq. ft. clear opening and floor to bottom of clear opening not to exceed 44".

Verify local or state egress opening sizes with your local building inspector.


Casement Window (8205) Elevations

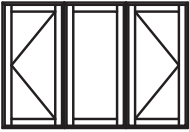
Unit Dimension	1'-5 1/2"	1'-7 1/2"	1'-11 1/2"	2'-3 1/2"	2'-5 1/2"	2'-7 1/2"	2'-11 1/2"
Rough Opening	1'-6"	1'-8"	2'-0"	2'-4"	2'-6"	2'-8"	3'-0"
Soft Metric R.O. (mm)	457	508	610	711	762	813	914
Glass Size	13 3/8"	15 3/8"	19 3/8"	23 3/8"	25 3/8"	27 3/8"	31 3/8"

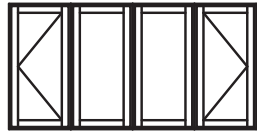
Shaded sizes meet or exceed egress opening requirements per 2006 IBC (International Building Code) minimum dimensions of 20" clear opening width, 24" clear opening height, 5.7 sq. ft. clear opening and floor to bottom of clear opening not to exceed 44".

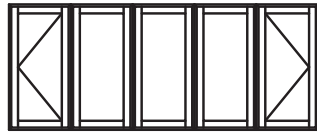
Verify local or state egress opening sizes with your local building inspector.

CASEMENT

 2 - Wide Units Width Dimensions			
Base Code	Unit Dimension (Frame Size)	Rough Opening	Soft Metric R.O. (mm)
CS2-16	2'-11 1/16"	2'-11 9/16"	903
CS2-18	3'-3 1/16"	3'-3 9/16"	1005
CS2-20	3'-11 1/16"	3'-11 9/16"	1208
CS2-24	4'-7 1/16"	4'-7 9/16"	1411
CS2-26	4'-11 1/16"	4'-11 9/16"	1513
CS2-28	5'-3 1/16"	5'-3 9/16"	1615
CS2-30	5'-11 1/16"	5'-11 9/16"	1818

 3 - Wide Units Width Dimensions			
Base Code	Unit Dimension (Frame Size)	Rough Opening	Soft Metric R.O. (mm)
CS3-16	4'-4 5/8"	4'-5 1/8"	1235
CS3-18	4'-10 5/8"	4'-11 1/8"	1502
CS3-20	5'-10 5/8"	5'-11 1/8"	1807
CS3-24	6'-10 5/8"	6'-11 1/8"	2111
CS3-26	7'-4 5/8"	7'-5 1/8"	2264
CS3-28	7'-10 5/8"	7'-11 1/8"	2416
CS3-30	8'-10 5/8"	8'-11 1/8"	2721

 4 - Wide Units Width Dimensions			
Base Code	Unit Dimension (Frame Size)	Rough Opening	Soft Metric R.O. (mm)
CS4-16	5'-10 3/16"	5'-10 11/16"	1796
CS4-18	6'-6 3/16"	6'-6 11/16"	1999
CS4-20	7'-10 3/16"	7'-10 11/16"	2405
CS4-24	9'-2 3/16"	9'-2 11/16"	2812
CS4-26	9'-10 3/16"	9'-10 11/16"	3015
CS4-28	10'-6 3/16"	10'-6 11/16"	3218
CS4-30	11'-10 3/16"	11'-10 11/16"	3320

 5 - Wide Units Width Dimensions			
Base Code	Unit Dimension (Frame Size)	Rough Opening	Soft Metric R.O. (mm)
CS5-16	7'-3 3/4"	7'-4 1/4"	2242
CS5-18	8'-1 3/4"	8'-2 1/4"	2496
CS5-20	9'-9 3/4"	9'-10 1/4"	3004
CS5-24	11'-5 3/4"	11'-6 1/4"	3512

Casement Picture Window (8205) Elevations

Unit Dimension	1'-5 1/2"	1'-7 1/2"	1'-11 1/2"	2'-3 1/2"	2'-5 1/2"	2'-7 1/2"	2'-11 1/2"	3'-5 1/2"	3'-11 1/2"	4'-5 1/2"
Rough Opening	1'-6"	1'-8"	2'-0"	2'-4"	2'-6"	2'-8"	3'-0"	3'-6"	4'-0"	4'-6"
Soft Metric R.O. (mm)	457	508	610	711	762	813	914	1067	1219	1372
Glass Size	13 3/8"	15 3/8"	19 3/8"	23 3/8"	25 3/8"	27 3/8"	31 3/8"	37 3/8"	43 3/8"	49 3/8"

1616	1816	2016	2416	2616	2816	3016	3616	4016	4616
1618	1818	2018	2418	2618	2818	3018	3618	4018	4618
1620	1820	2020	2420	2620	2820	3020	3620	4020	4620
1626	1826	2026	2426	2626	2826	3026	3626	4026	4626
1630	1830	2030	2430	2630	2830	3030	3630	4030	4630
1636	1836	2036	2436	2636	2836	3036	3636	4036	4636
1640	1840	2040	2440	2640	2840	3040	3640	4040	4640
1646	1846	2046	24046	2646	2846	3046	3646	4046	4646
1650	1850	2050	2450	2650	2850	3050	3650	4050	4650
1656	1856	2056	2456	2656	2856	3056	3656	4056	4656
1660	1660	2060	2460	2660	2860	3060	3660	4060	4660
1666	1666	2066	2466	2666	2866	3066	3666	4066	4666
1670	1670	2070	2470	2670	2870	3070	3670	4070	4670

CASEMENT

Verify local or state egress opening sizes with your local building inspector.

Casement Picture Window (8205) Elevations

CASEMENT

Unit Dimension	4'-11 1/2"	5'-5 1/2"	5'-11 1/2"
Rough Opening	5'-0"	5'-6"	6'-0"
Soft Metric R.O. (mm)	1524	1626	1829
Glass Size	55 3/8"	61 3/8"	67 3/8"
1'-5 1/2"	1'-6"	1'-6"	1'-6"
1'-7 1/2"	1'-8"	1'-8"	1'-8"
1'-11 1/2"	2'-0"	2'-0"	2'-0"
2'-5 1/2"	2'-6"	2'-6"	2'-6"
2'-11 1/2"	3'-0"	3'-0"	3'-0"
3'-5 1/2"	3'-6"	3'-6"	3'-6"
3'-11 1/2"	4'-0"	4'-0"	4'-0"
4'-5 1/2"	4'-6"	4'-6"	4'-6"
4'-11 1/2"	5'-0"	5'-0"	5'-0"
5'-5 1/2"	5'-6"	5'-6"	5'-6"
5'-11 1/2"	6'-0"	6'-0"	6'-0"
6'-11 1/2"	7'-0"	7'-0"	7'-0"

5016	5616	6016
5018	5618	6018
5020	5620	6020
5026	5626	6026
5030	5630	6030
5036	5636	6036
5040	5640	6040
5046	5646	6046
5050	5650	6050
5056	5656	6056
5060	5660	6060
5066	5666	6066
5070	5670	6070

Verify local or state egress opening sizes with your local building inspector.

Casement Transom Window (8205) Elevations

Unit Dimension	1'-5 1/2"	1'-7 1/2"	1'-11 1/2"	2'-3 1/2"	2'-5 1/2"	2'-7 1/2"	2'-11 1/2"	3'-5 1/2"	3'-11 1/2"	4'-5 1/2"
Rough Opening	1'-6"	1'-8"	2'-0"	2'-4"	2'-6"	2'-8"	3'-0"	3'-6"	4'-0"	4'-6"
Soft Metric R.O. (mm)	457	508	610	711	762	813	914	1067	1219	1372
Glass Size	13 3/8"	15 3/8"	19 3/8"	23 3/8"	25 3/8"	27 3/8"	31 3/8"	37 3/8"	43 3/8"	49 3/8"

1'-5 1/2"										
1'-6"	1616	1816	2016	2416	2616	2816	3016	3616	4016	4616
1'-7 1/2"										
1'-8"	1618	1818	2018	2418	2618	2818	3018	3618	4018	4618
1'-11 1/2"										
2'-0"	1620	1820	2020	2420	2620	2820	3020	3620	4020	4620
2'-5 1/2"										
2'-6"	1626	1826	2026	2426	2626	2826	3026	3626	4026	4626
2'-11 1/2"										
3'-0"	1630	1830	2030	2430	2630	2830	3030	3630	4030	4630
3'-11 1/2"										
4'-5 1/2"	1630	1830	2030	2430	2630	2830	3030	3630	4030	4630

Unit Dimension	4'-11 1/2"	5'-5 1/2"	5'-11 1/2"
Rough Opening	5'-0"	5'-6"	6'-0"
Soft Metric R.O. (mm)	1524	1676	1829
Glass Size	55 3/8"	61 3/8"	67 3/8"

1'-5 1/2"			
1'-6"	5016	5616	6016
1'-7 1/2"			
1'-8"	5018	5618	6018
1'-11 1/2"			
2'-0"	5020	5620	6020
2'-5 1/2"			
2'-6"	5026	5626	6026
2'-11 1/2"			
3'-0"	5030	5630	6030
3'-11 1/2"			
4'-5 1/2"	5030	5630	6030

CASEMENT

Verify local or state egress opening sizes with your local building inspector.

Casement Window (8205) Opening Specifications

Call Size	Sq. Ft. Clear Opening	Clear Opening		Sq. Ft. Daylight Opening	Sq. Ft. Vent	Floor to Bottom of Clear Opening ^a	Sq. Ft. Overall Unit Area ^b
		Width	Height				
1620	1.29	9.71	19.16	1.59	1.57	60.89	2.86
1626	1.70	9.71	25.16	2.11	2.06	54.89	3.59
1630	2.10	9.71	31.16	2.63	2.55	48.89	4.31
1636	2.51	9.71	37.16	3.14	3.04	42.89	5.04
1640	2.91	9.71	43.16	3.66	3.54	36.89	5.77
1646	3.32	9.71	49.16	4.18	4.03	30.89	6.50
1650	3.72	9.71	55.16	4.70	4.52	24.89	7.23
1656	4.13	9.71	61.16	5.21	5.01	42.89	7.96
1660	4.53	9.71	67.16	5.73	5.50	36.89	8.69
1666	4.93	9.71	73.16	6.25	5.99	30.89	9.42
1670	5.34	9.71	79.16	6.77	6.49	24.89	10.15
1820	1.56	11.71	19.16	1.85	1.84	60.89	3.18
1826	2.05	11.71	25.16	2.45	2.41	54.89	3.99
1830	2.53	11.71	31.16	3.05	2.99	48.89	4.81
1836	3.02	11.71	37.16	3.65	3.56	42.89	5.62
1840	3.51	11.71	43.16	4.25	4.14	36.89	6.43
1846	4.00	11.71	49.16	4.85	4.71	30.89	7.24
1850	4.49	11.71	55.16	5.45	5.29	24.89	8.06
1856	4.98	11.71	61.16	6.05	5.86	42.89	8.87
1860	5.46	11.71	67.16	6.66	6.44	36.89	9.68
1866	5.95	11.71	73.16	7.26	7.01	30.89	10.49
1870	6.44	11.71	79.16	7.86	7.59	24.89	11.31
2020	2.09	15.71	19.16	2.36	2.37	60.89	3.84
2026	2.75	15.71	25.16	3.13	3.11	54.89	4.81
2030	3.40	15.71	31.16	3.89	3.85	48.89	5.79
2036	4.06	15.71	37.16	4.66	4.59	42.89	6.77
2040	4.71	15.71	43.16	5.43	5.33	36.89	7.75
2046	5.36	15.71	49.16	6.20	6.08	30.89	8.73
2050	6.02	15.71	55.16	6.96	6.82	24.89	9.71
2056	6.67	15.71	61.16	7.73	7.56	42.89	10.69
2060	7.33	15.71	67.16	8.50	8.30	36.89	11.67
2066	7.98	15.71	73.16	9.27	9.04	30.89	12.65
2070	8.64	15.71	79.16	10.04	9.78	24.89	13.63
2420	2.62	19.71	19.16	2.87	2.90	60.89	4.49
2426	3.44	19.71	25.16	3.80	3.81	54.89	5.63
2430	4.27	19.71	31.16	4.74	4.72	48.89	6.78
2436	5.09	19.71	37.16	5.67	5.63	42.89	7.93
2440	6.43	21.44	43.16	6.61	6.53	36.89	9.07
2446	7.32	21.44	49.16	7.54	7.44	30.89	10.22
2450	8.21	21.44	55.16	8.48	8.35	24.89	11.36
2456	9.11	21.44	61.16	9.41	9.26	42.89	12.51
2460	10.00	21.44	67.16	10.35	10.17	36.89	13.65
2466	10.89	21.44	73.16	11.28	11.08	30.89	14.80
2470	11.79	21.44	79.16	12.21	11.98	24.89	15.95

Verify local or state egress opening sizes with your local building inspector.

CASEMENT

Casement Window (8205) Opening Specifications

Call Size	Sq. Ft. Clear Opening	Clear Opening		Sq. Ft. Daylight Opening	Sq. Ft. Vent	Floor to Bottom of Clear Opening ^a	Sq. Ft. Overall Unit Area ^b
		Width	Height				
2620	2.89	21.71	19.16	3.13	3.17	60.89	4.81
2626	3.79	21.71	25.16	4.14	4.16	54.89	6.04
2630	4.70	21.71	31.16	5.16	5.15	48.89	7.27
2636	6.05	23.44	37.16	6.18	6.14	42.89	8.50
2640	6.51	21.71	43.16	7.20	7.13	36.89	9.73
2646	7.41	21.71	49.16	8.21	8.12	30.89	10.96
2650	8.32	21.71	55.16	9.23	9.12	24.89	12.19
2656	9.22	21.71	61.16	10.25	10.11	42.89	13.42
2660	10.13	21.71	67.16	11.27	11.10	36.89	14.65
2666	11.03	21.71	73.16	12.29	12.09	30.89	15.88
2670	11.94	21.71	79.16	13.30	13.08	24.89	17.11
2820	2.87	21.53	19.16	3.38	3.43	60.89	5.14
2826	3.76	21.53	25.16	4.48	4.51	54.89	6.45
2830	4.66	21.53	31.16	5.58	5.58	48.89	7.77
2836	6.12	23.71	37.16	6.69	6.66	42.89	9.08
2840	6.45	21.53	43.16	7.79	7.73	36.89	10.39
2846	7.35	21.53	49.16	8.89	8.81	30.89	11.70
2850	8.25	21.53	55.16	9.99	9.88	24.89	13.02
2856	9.15	21.53	61.16	11.09	10.96	42.89	14.33
2860	10.04	21.53	67.16	12.19	12.03	36.89	15.64
2866	10.94	21.53	73.16	13.29	13.11	30.89	16.95
2870	11.84	21.53	79.16	14.39	14.18	24.89	18.27
3020	3.39	25.47	19.16	3.89	3.97	60.89	5.79
3026	4.45	25.47	25.16	5.16	5.21	54.89	7.27
3030 ^c	6.00	27.71	31.16	6.43	6.45	48.89	8.75
3036	6.57	25.47	37.16	7.70	7.69	42.89	10.23
3040	7.63	25.47	43.16	8.96	8.93	36.89	11.71
3046	8.69	25.47	49.16	10.23	10.17	30.89	13.19
3050	9.76	25.47	55.16	11.50	11.41	24.89	14.67
3056	10.82	25.47	61.16	12.77	12.66	42.89	16.15
3060	11.88	25.47	67.16	14.04	13.90	36.89	17.63
3066	12.94	25.47	73.16	15.30	15.14	30.89	19.11
3070	14.00	25.47	79.16	16.57	16.38	24.89	20.59

CASEMENT

Shaded sizes meet or exceed egress opening requirements per 2006 IBC (International Building Code) minimum dimensions of 20" clear opening width, 24" clear opening height, 5.7 sq. ft. clear opening and floor to bottom of clear opening not to exceed 44".

^aFloor to bottom of clear opening dimensions are based on 82" header height.

All units over 66 height are based off 106" header height for floor to clear opening dimension

^bSq. Ft. Overall Unit Area is calculated on the jamb dimension.

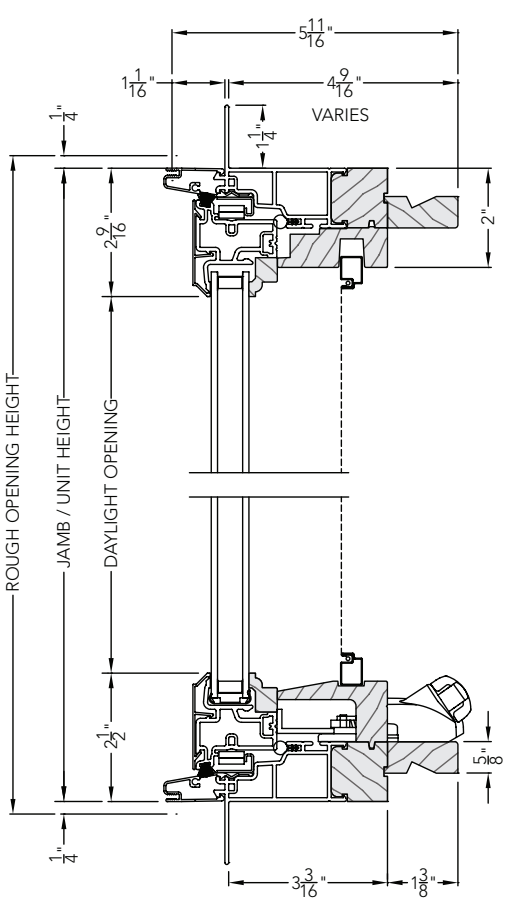
^cThese windows meet or exceed emergency escape and rescue opening requirements if installed lower in the wall so the "Floor to Bottom of Clear Opening Height" does not exceed 44".

All units 32.5" or wider in rough opening width are manufactured with a 14" hinge. Sash opens to approximately 82° at full opening, which could limit emergency escape and rescue compatibility. Clear opening width values for these are calculated parallel to the sash. Check with your local building inspector to verify allowance

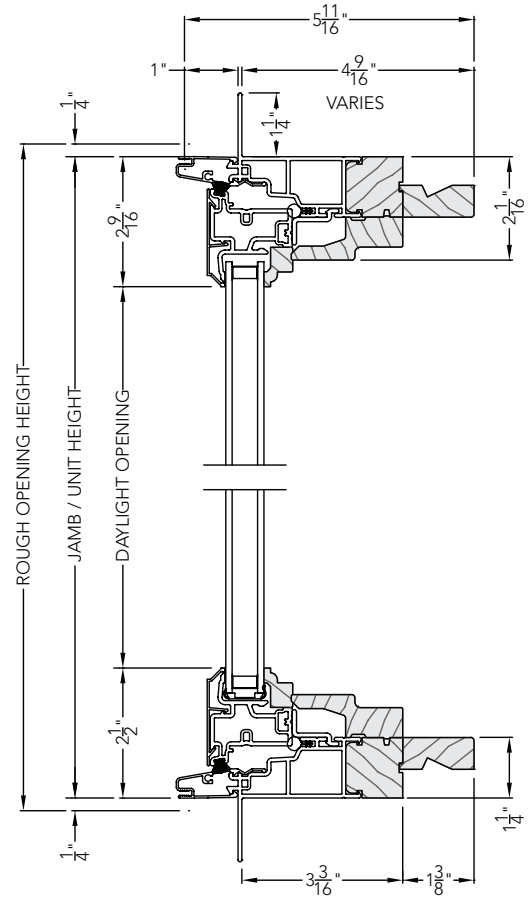
Verify local or state egress opening sizes with your local building inspector.

Case ment Window (8205) Cross Sections

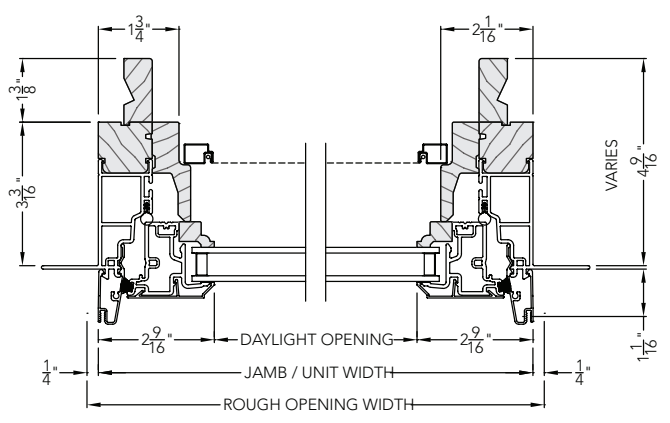
CASEMENT



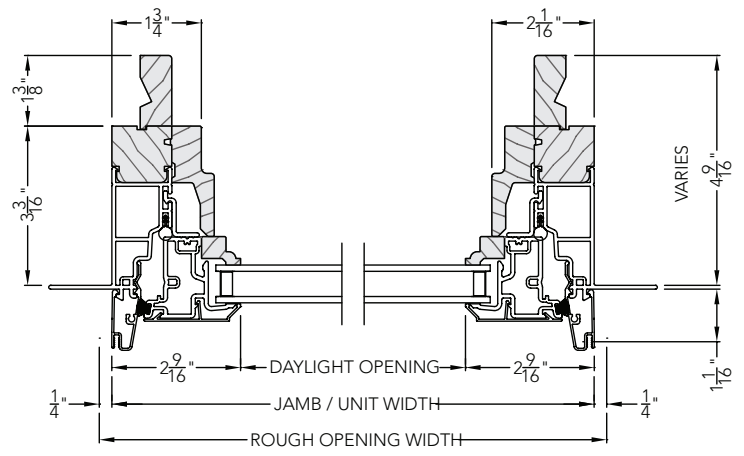
ELITE PREMIUM CLAD CASEMENT WINDOW
Vertical Section



ELITE PREMIUM CLAD CASEMENT PICTURE WINDOW
Vertical Section

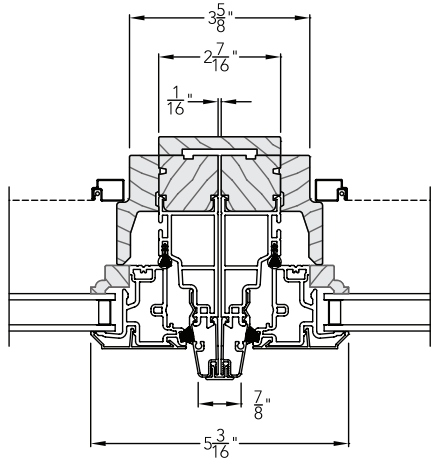


ELITE PREMIUM CLAD CASEMENT WINDOW
Horizontal Section

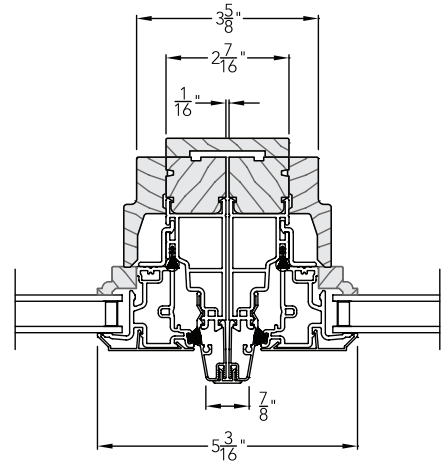


ELITE PREMIUM CLAD CASEMENT PICTURE WINDOW
Horizontal Section

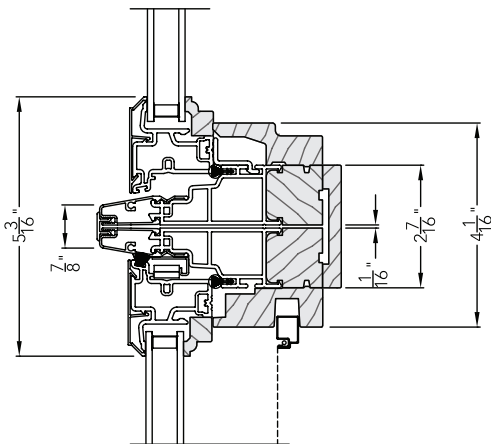
Casement Window (8205) Cross Sections



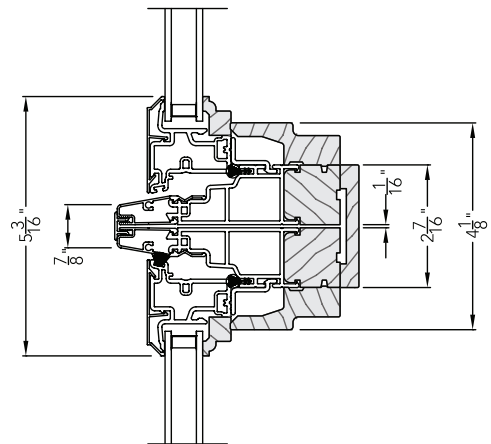
ELITE PREMIUM CLAD CASEMENT WINDOW
Horizontal Mull Section



ELITE PREMIUM CLAD CASEMENT PICTURE WINDOW
Horizontal Mull Section



ELITE PREMIUM CLAD CASEMENT WINDOW
Vertical Section - Transom Stack over Casement



ELITE PREMIUM CLAD CASEMENT PICTURE WINDOW
Vertical Section - Transom Stack over Casement Picture

Note: All dimensions are approximate. Crestline reserves the right to change specifications without notice.

Awning Window (8205) Elevations

Awning Windows

Unit Dimension	1'-5 1/2"	1'-7 1/2"	1'-11 1/2"	2'-3 1/2"	2'-5 1/2"	2'-7 1/2"	2'-11 1/2"	3'-5 1/2"	3'-11 1/2"	4'-5 1/2"	4'-11 1/2"
Rough Opening	1'-6"	1'-8"	2'-0"	2'-4"	2'-6"	2'-8"	3'-0"	3'-6"	4'-0"	4'-6"	5'-0"
Soft Metric R.O. (mm)	457	508	610	711	762	813	914	1067	1219	1372	1524
Glass Size	13 3/8"	15 3/8"	19 3/8"	23 3/8"	25 3/8"	27 3/8"	31 3/8"	37 3/8"	43 3/8"	49 3/8"	55 3/8"

1616	1816	2016	2416	2616	2816	3016	3616	4016	4616	5016
1618	1818	2018	2418	2618	2818	3018	3618	4018	4618	5018
1620	1820	2020	2420	2620	2820	3020	3620	4020	4620	5020
1626	1826	2026	2426	2626	2826	3026	3626	4026	4626	5026
1630	1830	2030	2430	2630	2830	3030	3630	4030	4630	5030
1636	1836	2036	2436	2636	2836	3036	3636	4036	4636	5036
1640	1840	2040	2440	2640	2840	3040	3640	4040	4640	5040

Awning Picture Combinations

Unit Dimension	1'-11 1/2"	2'-3 1/2"	2'-5 1/2"	2'-7 1/2"	2'-11 1/2"	3'-5 1/2"	3'-11 1/2"	4'-5 1/2"	4'-11 1/2"
Rough Opening	2'-0"	2'-4"	2'-6"	2'-8"	3'-0"	3'-6"	4'-0"	4'-6"	5'-0"
Soft Metric R.O. (mm)	610	711	762	813	914	1067	1219	1372	1524
Glass Size	19 3/8"	23 3/8"	25 3/8"	27 3/8"	31 3/8"	37 3/8"	43 3/8"	49 3/8"	55 3/8"

204020	244020	264020	284020	304020	364020	404020	464020	504020
205020	245020	265020	285020	305020	365020	405020	465020	505020
204026	244026	264026	284026	304026	364026	404026	464026	504026
205026	245026	265026	285026	305026	365026	405026	465026	505026

2 - Wide Width Dimensions

Base Code	Unit Dimension (Frame Size)	Rough Opening	Soft Metric R.O. (mm)
AW2-16	2'-11 1/16"	2'-11 9/16"	903
AW2-18	3'-3 1/16"	3'-3 9/16"	1005
AW2-20	3'-11 1/16"	3'-11 9/16"	1208
AW2-24	4'-7 1/16"	4'-7 9/16"	1411
AW2-26	4'-11 1/16"	4'-11 9/16"	1513
AW2-28	5'-3 1/16"	5'-3 9/16"	1615
AW2-30	5'-11 1/16"	5'-11 9/16"	1818
AW2-36	6'-11 1/16"	6'-11 9/16"	2123
AW2-40	7'-11 1/16"	7'-11 9/16"	2427
AW2-46	8'-11 1/16"	8'-11 9/16"	2732
AW2-50	9'-11 1/16"	9'-11 9/16"	3037

3 - Wide Width Dimensions

Base Code	Unit Dimension (Frame Size)	Rough Opening	Soft Metric R.O. (mm)
AW3-16	4'-4 5/8"	4'-5 1/8"	1235
AW3-18	4'-10 5/8"	4'-11 1/8"	1502
AW3-20	5'-10 5/8"	5'-11 1/8"	1807
AW3-24	6'-10 5/8"	6'-11 1/8"	2111
AW3-26	7'-4 5/8"	7'-5 1/8"	2264
AW3-28	7'-10 5/8"	7'-11 1/8"	2416
AW3-30	8'-10 5/8"	8'-11 1/8"	2721
AW3-36	10'-4 5/8"	10'-5 1/8"	3178
AW3-40	11'-10 5/8"	11'-11 1/8"	3635

4 - Wide Width Dimensions

Base Code	Unit Dimension (Frame Size)	Rough Opening	Soft Metric R.O. (mm)
AW4-16	5'-10 3/16"	5'-10 11/16"	1796
AW4-18	6'-6 3/16"	6'-6 11/16"	1999
AW4-20	7'-10 3/16"	7'-10 11/16"	2405
AW4-24	9'-2 3/16"	9'-2 11/16"	2812
AW4-26	9'-10 3/16"	9'-10 11/16"	3015
AW4-28	10'-6 3/16"	10'-6 11/16"	3218
AW4-30	11'-10 3/16"	11'-10 11/16"	3320

Verify local or state egress opening sizes with your local building inspector.

Awning Window (8205) Opening Specifications

Call Size	Vent		Sq. Ft. Vent	Sq. Ft. Daylight Opening	Sq. Ft. Overall Unit Area ^a
	Width	Height			
1616	13.44	9.59	0.89	1.07	2.13
1618	13.44	11.59	1.08	1.24	2.37
1620	13.44	14.59	1.36	1.58	2.86
1626	13.44	20.59	1.92	2.10	3.59
1630	13.44	24.59	2.29	2.62	4.31
1636	13.44	30.59	2.85	3.13	5.04
1640	13.44	34.59	3.23	3.65	5.77
1816	15.44	9.59	1.03	1.24	2.37
1818	15.44	11.59	1.24	1.44	2.64
1820	15.44	14.59	1.56	1.84	3.18
1826	15.44	20.59	2.21	2.44	3.99
1830	15.44	24.59	2.64	3.04	4.81
1836	15.44	30.59	3.28	3.64	5.62
1840	15.44	34.59	3.71	4.24	6.43
2016	19.44	9.59	1.29	1.58	2.86
2018	19.44	11.59	1.56	1.84	3.18
2020	19.44	14.59	1.97	2.35	3.84
2026	19.44	20.59	2.78	3.12	4.81
2030	19.44	24.59	3.32	3.88	5.79
2036	19.44	30.59	4.13	4.65	6.77
2040	19.44	34.59	4.67	5.42	7.75
2416	23.44	9.59	1.56	1.93	3.34
2418	23.44	11.59	1.89	2.24	3.72
2420	23.44	14.59	2.37	2.86	4.49
2426	23.44	20.59	3.35	3.79	5.63
2430	23.44	24.59	4.00	4.73	6.78
2436	23.44	30.59	4.98	5.66	7.93
2440	23.44	34.59	5.63	6.59	9.07
2616	25.44	9.59	1.69	2.10	3.59
2618	25.44	11.59	2.05	2.44	3.99
2620	25.44	14.59	2.58	3.12	4.81
2626	25.44	20.59	3.64	4.13	6.04
2630	25.44	24.59	4.34	5.15	7.27
2636	25.44	30.59	5.40	6.17	8.50
2640	25.44	34.59	6.11	7.18	9.73
2816	27.44	9.59	1.83	2.27	3.83
2818	27.44	11.59	2.21	2.64	4.27
2820	27.44	14.59	2.78	3.37	5.14
2826	27.44	20.59	3.92	4.47	6.45
2830	27.44	24.59	4.68	5.57	7.77
2836	27.44	30.59	5.83	6.67	9.08
2840	27.44	34.59	6.59	7.77	10.39
3016	31.44	9.59	2.09	2.62	4.31
3018	31.44	11.59	2.53	3.04	4.81
3020	31.44	14.59	3.18	3.88	5.79
3026	31.44	20.59	4.49	5.15	7.27
3030	31.44	24.59	5.37	6.42	8.75
3036	31.44	30.59	6.68	7.68	10.23
3040	31.44	34.59	7.55	8.95	11.71

Verify local or state egress opening sizes with your local building inspector.

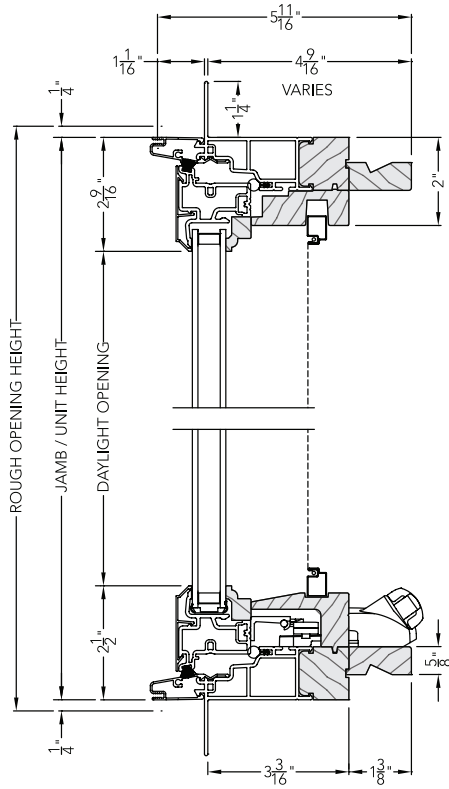
Awning Window (8205) Opening Specifications

Call Size	Vent		Sq. Ft. Vent	Sq. Ft. Daylight Opening	Sq. Ft. Overall Unit Area ^a
	Width	Height			
3616	31.44	9.59	2.09	2.62	4.31
3618	31.44	11.59	2.53	3.04	4.81
3620	31.44	14.59	3.18	3.88	5.79
3626	31.44	20.59	4.49	5.15	7.27
3630	31.44	24.59	5.37	6.42	8.75
3636	31.44	30.59	6.68	7.68	10.23
3640	31.44	34.59	7.55	8.95	11.71
4016	43.44	9.59	2.89	3.65	5.77
4018	43.44	11.59	3.49	4.24	6.43
4020	43.44	14.59	4.40	5.42	7.75
4026	43.44	20.59	6.21	7.18	9.73
4030	43.44	24.59	7.42	8.95	11.71
4036	43.44	30.59	9.23	10.71	13.69
4040	43.44	34.59	10.43	12.48	15.67
4616	49.44	9.59	3.29	4.17	6.50
4618	49.44	11.59	3.98	4.84	7.24
4620	49.44	14.59	5.01	6.18	8.73
4626	49.44	20.59	7.07	8.20	10.96
4630	49.44	24.59	8.44	10.21	13.19
4636	49.44	30.59	10.50	12.23	15.42
4640	49.44	34.59	11.87	14.25	17.65
5016	55.44	9.59	3.69	4.68	7.23
5018	55.44	11.59	4.46	5.44	8.06
5020	55.44	14.59	5.62	6.95	9.71
5026	55.44	20.59	7.93	9.21	12.19
5030	55.44	24.59	9.46	11.48	14.67
5036	55.44	30.59	11.77	13.75	17.15
5040	55.44	34.59	13.31	16.01	19.63

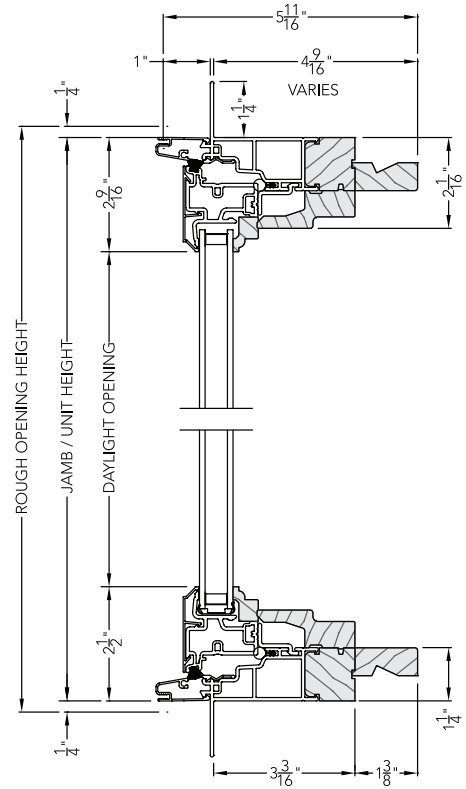
^a Sq. Ft. Overall Unit Area is calculated on the jamb dimension.

Verify local or state egress opening sizes with your local building inspector.

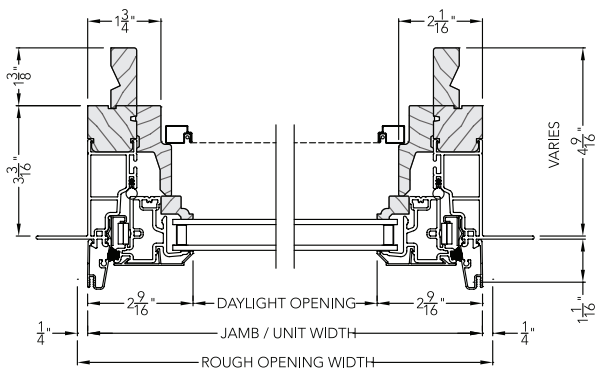
Awning Window (8205) Cross Sections



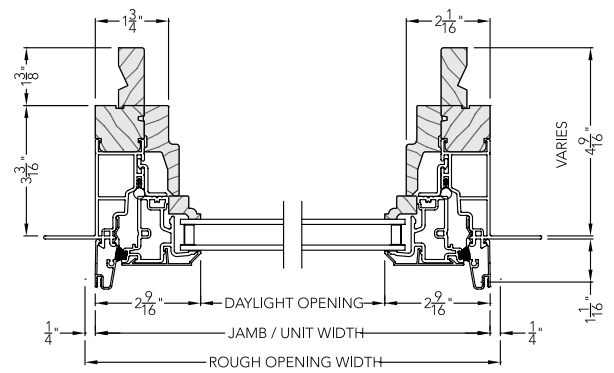
ELITE PREMIUM CLAD AWNING WINDOW
Vertical Section



ELITE PREMIUM CLAD AWNING PICTURE WINDOW
Vertical Section



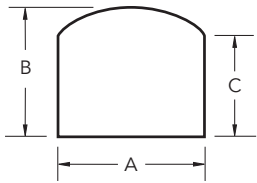
ELITE PREMIUM CLAD AWNING WINDOW
Horizontal Section



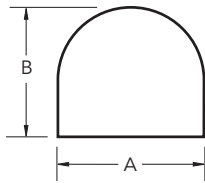
ELITE PREMIUM CLAD AWNING PICTURE WINDOW
Horizontal Section

Note: All dimensions are approximate. Crestline reserves the right to change specifications without notice.

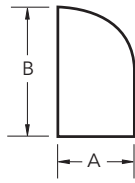
Special Shape Window – Radius & Geometric (8306) Elevations



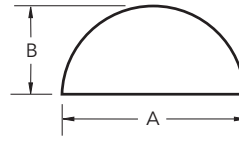
Eyebrow with Extended Legs



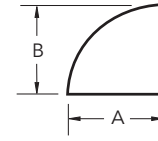
Half Circle
with Extended Legs



Quarter Circle
with Extended Legs

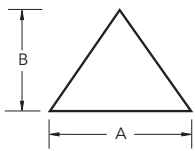


Half Circle

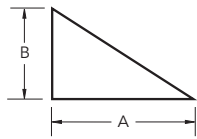


Quarter Circle

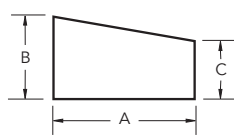
*Template is required when ordering replacement glass and interior trim for custom sizes.



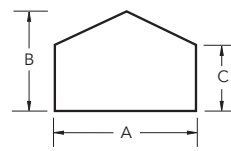
Isosceles Triangle



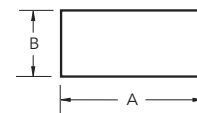
Right Angle Triangle



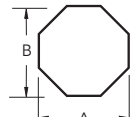
Trapezoid



Pentagon



Rectangle

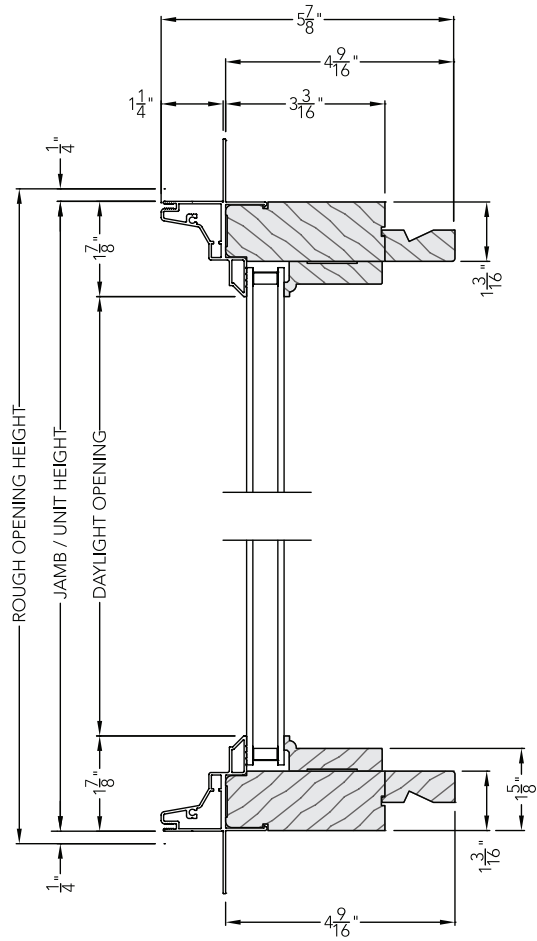


Octagon

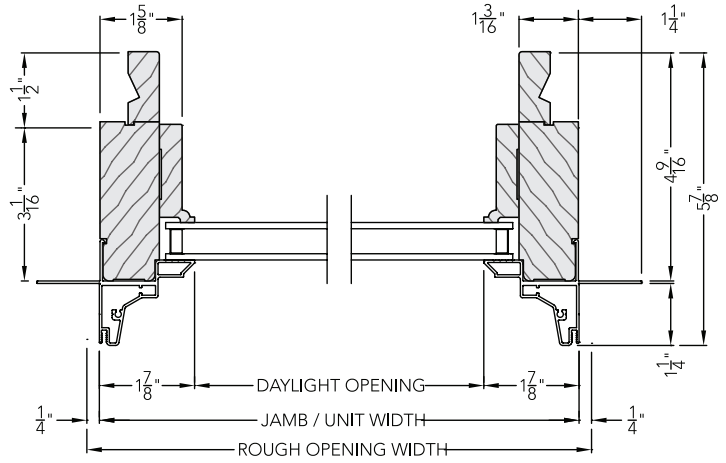
A - Rough Opening Width
B - Rough Opening Height
C - Rough Opening Leg

For availability of specialty shapes not shown,
contact customer service.

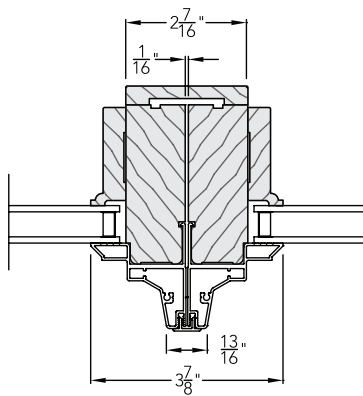
Special Shape Window (8306) Cross Sections



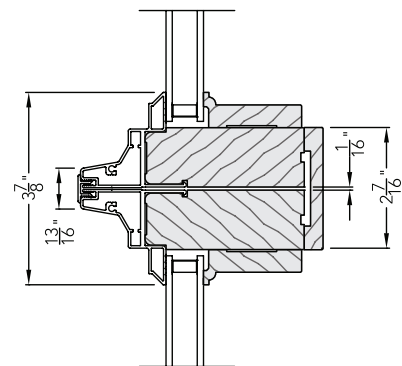
ELITE PREMIUM CLAD SPECIAL SHAPE
Vertical Section



ELITE PREMIUM CLAD SPECIAL SHAPE
Horizontal Section



ELITE PREMIUM CLAD SPECIAL SHAPE
Horizontal Mullion Section



ELITE PREMIUM CLAD SPECIAL SHAPE
Stack Section

Note: All dimensions are approximate. Crestline reserves the right to change specifications without notice.

Center Hinged Patio Door (8510) Elevations

Clad Unit Dimension	4'-11 1/4"	5'-11 1/4"	6'-1 11/16"	7'-4 3/16"	7'-10 3/16"
Rough Opening	5'-0"	6'-0"	6'-2 7/16"	7'-4 15/16"	7'-10 15/16"
Soft Metric R.O. (mm)	1524	1829	1891	2259	2411
Glass Size	19 1/16"	25 1/16"	26 1/4"	19 1/16"	21 1/16"

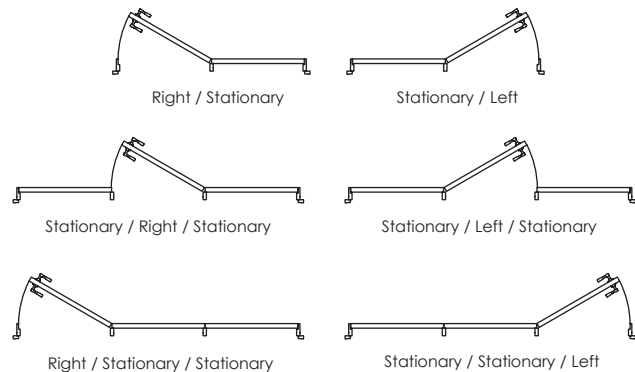
6'-7 1/2"	6'-10"	7'-2"	8'-0"
6'-8"	6'-10 1/2"	7'-2 1/2"	8'-0 1/2"
2032	2096	2197	2451
64 13/16"	67 5/16"	71 5/16"	81 5/16"

2-5068	2-6068	2-6268	3-7568	3-71168
2-50610	2-60610	2-62610	3-75610	3-711610
2-5072	2-6072	2-6272	3-7572	3-71172
2-5080	2-6080	2-6280	3-7580	3-71180

NOTE: Sizes are available in-swing only.

Verify local or state egress opening sizes with your local building inspector.

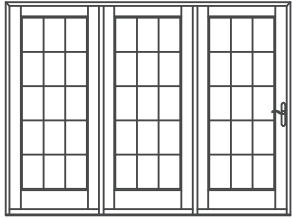
Center Hinged Patio Doors (Hinge Codes)



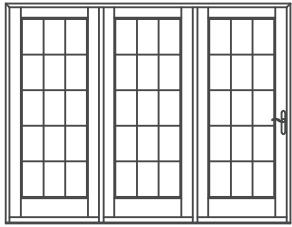
Center Hinged Patio Door (8510) Elevations

Clad Unit Dimension	8'-10 3/16"
Rough Opening	8'-10 15/16"
Soft Metric R.O. (mm)	2716
Glass Size	25 1/16"

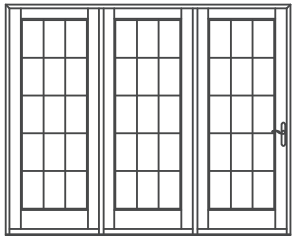
6'-7 1/2"	6'-10"	7'-2"	8'-0"
6'-8"	6'-10 1/2"	7'-2 1/2"	8'-0 1/2"
2032	2096	2197	2451
64 13/16"	67 5/16"	71 5/16"	81 5/16"



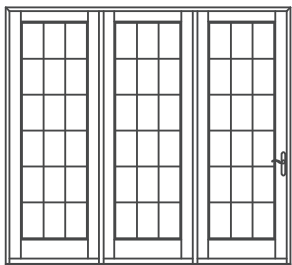
3-81168



3-811610



3-81172



3-81180

Verify local or state egress opening sizes with your local building inspector.

Center Hinged Patio Door Transom Elevations

Clad Unit Dimension	4'-11 1/4"	5'-11 1/4"	6'-1 11/16"	7'-4 3/16"	7'-10 3/16"
Rough Opening	5'-0"	6'-0"	6'-2 7/16"	7'-4 15/16"	7'-10 15/16"
Soft Metric R.O. (mm)	1524	1829	1897	2259	2411
Glass Size	57 3/4"	69 3/4"	72 3/16"	86 11/16"	92 11/16"

2'-4"	2'-0"	1'-8"	1'-8 1/2"	1'-8 1/2"	1'-8 1/2"
2'-4 1/2"	2'-0 1/2"	1'-8 1/2"	1'-8 1/2"	1'-8 1/2"	1'-8 1/2"
724	622	521	521	521	521
26 1/2"	22 1/2"	18 1/2"	18 1/2"	18 1/2"	18 1/2"

5018	6018	6218	7518	71118
5020	6020	6220	7520	71120
5024	6024	6224	7524	71124

Clad Unit Dimension	8'-10 3/16"
Rough Opening	8'-10 15/16"
Soft Metric R.O. (mm)	2716
Glass Size	104 11/16"

2'-4"	2'-0"	1'-8"	1'-8 1/2"	1'-8 1/2"	1'-8 1/2"
2'-4 1/2"	2'-0 1/2"	1'-8 1/2"	1'-8 1/2"	1'-8 1/2"	1'-8 1/2"
724	622	521	521	521	521
26 1/2"	22 1/2"	18 1/2"	18 1/2"	18 1/2"	18 1/2"

81118
81120
81124

Verify local or state egress opening sizes with your local building inspector.

Center Hinged Patio Door (8510) Opening Specifications

Ordering Size			Sq. Ft. Clear Opening		Clear Opening ^B inches			Sq. Ft. Daylight Opening	Sq. Ft. Vent			Sq. Ft. Overall Unit Area ^D	
			Hinge Code R/S S/L R/S/S S/S/L		Hinge Code S/R/S S/L/S		Width		7-1/2" Bottom Rail	Hinge Code R/S S/L R/S/S S/S/L			Hinge Code S/R/S S/L/S
							Hinge Code R/S S/L R/S/S S/S/L	Hinge Code S/R/S S/L/S					
5-0	x	6-8	13.55	---	25.63	---	76.13	16.10	13.55	---	32.72		
6-0	x	6-8	16.72	---	31.63	---	76.13	21.40	16.72	---	39.35		
6-2	x	6-8	17.38	---	32.88	---	76.13	22.48	17.38	---	40.70		
7-5	x	6-8	13.55	13.41	25.63	25.38	76.13	24.15	13.55	13.41	48.71		
7-11	x	6-8	14.60	14.47	27.63	27.38	76.13	26.79	14.60	14.47	52.02		
8-11	x	6-8	16.72	16.59	31.63	31.38	76.13	32.10	16.72	16.59	58.65		
5-0	x	6-10	13.99	---	25.63	---	78.63	16.72	13.99	---	33.75		
6-0	x	6-10	17.27	---	31.63	---	78.63	22.24	17.27	---	40.59		
6-2	x	6-10	17.95	---	32.88	---	78.63	23.38	17.95	---	41.98		
7-5	x	6-10	13.99	13.85	25.63	25.38	78.63	25.08	13.99	13.85	50.24		
7-11	x	6-10	15.08	14.95	27.63	27.38	78.63	27.84	15.08	14.95	53.65		
8-11	x	6-10	17.27	17.13	31.63	31.38	78.63	33.36	17.27	17.13	60.49		
5-0	x	7-2	14.70	---	25.63	---	82.63	17.74	14.70	---	35.40		
6-0	x	7-2	18.15	---	31.63	---	82.63	23.60	18.15	---	42.57		
6-2	x	7-2	18.86	---	32.88	---	82.63	24.78	18.86	---	44.02		
7-5	x	7-2	14.70	14.56	25.63	25.38	82.63	26.61	14.70	14.56	52.69		
7-11	x	7-2	15.85	15.71	27.63	27.38	82.63	29.52	15.85	15.71	56.27		
8-11	x	7-2	18.15	18.00	31.63	31.38	82.63	35.40	18.15	18.00	63.44		
5-0	x	8-0	16.48	---	25.63	---	92.63	20.26	16.48	---	39.51		
6-0	x	8-0	20.34	---	31.63	---	92.63	26.94	20.34	---	47.52		
6-2	x	8-0	21.15	---	32.88	---	92.63	28.30	21.15	---	49.14		
7-5	x	8-0	16.48	16.32	25.63	25.38	92.63	30.39	16.48	16.32	58.81		
7-11	x	8-0	17.77	17.61	27.63	27.38	92.63	33.72	17.77	17.61	62.81		
8-11	x	8-0	20.34	20.18	31.63	31.38	92.63	40.41	20.34	20.18	70.81		

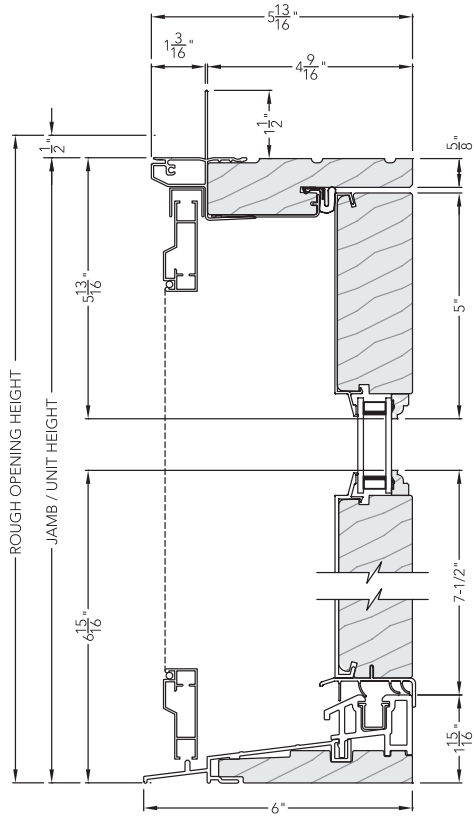
^A All calculations assume operating panel is open 90 degrees.

^B Sq. Ft. Overall Unit Area is calculated on the jamb dimension.

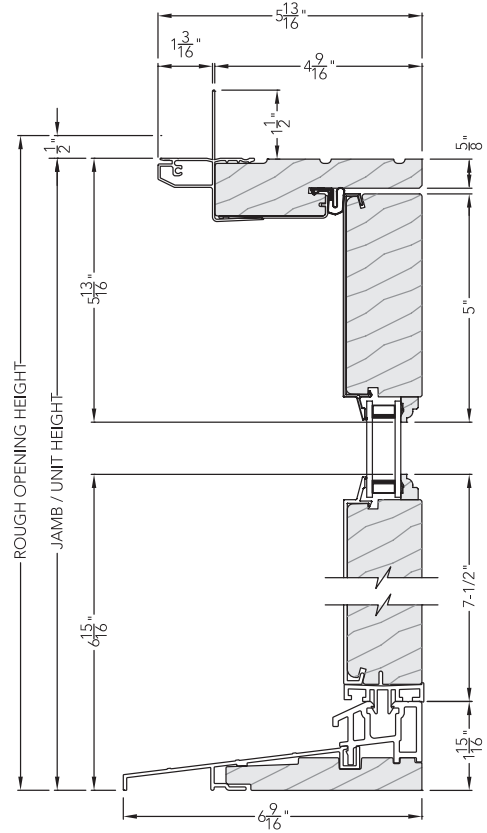
^C Clear Opening Height dimensions calculated without screen.

Verify local or state egress opening sizes with your local building inspector.

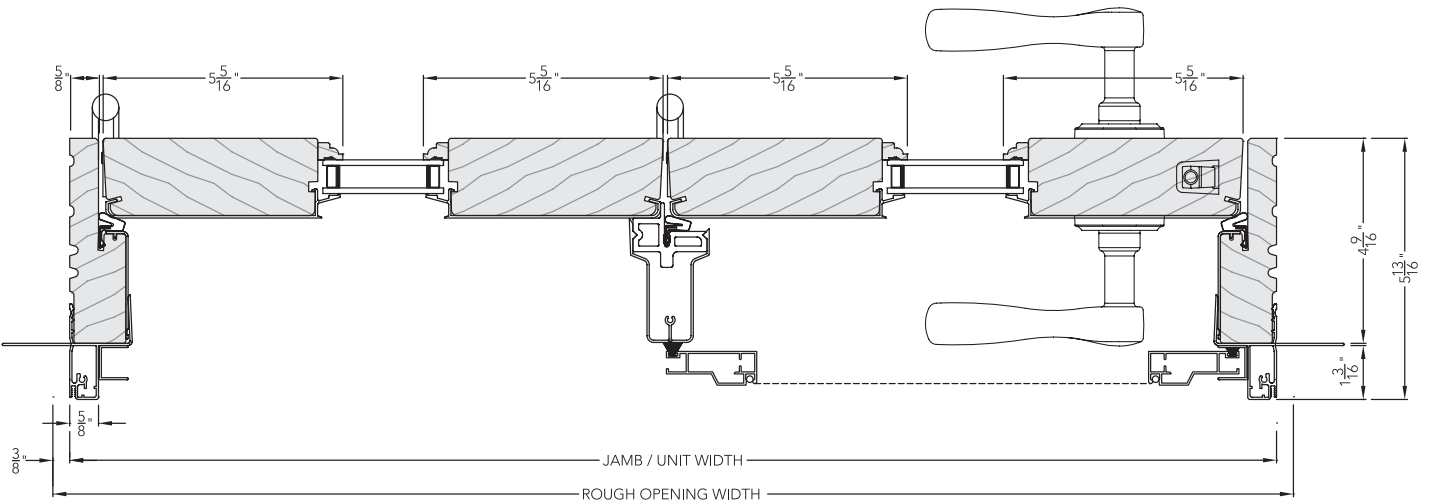
Center Hinged Patio Door (8510) Cross Sections



ELITE PREMIUM CLAD CENTER HINGE PATIO DOOR
Vertical Section



ELITE PREMIUM CLAD HINGED PATIO DOOR IN-SWING SIDELITE
Vertical Section



ELITE PREMIUM CLAD CENTER HINGED PATIO DOOR
Horizontal Section

In-Swing or Out-Swing Hinged Patio Door (8510/8610) Elevations

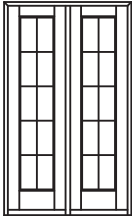
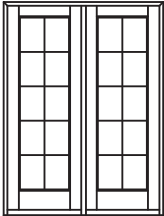
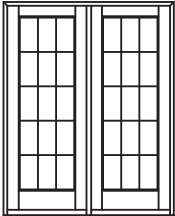
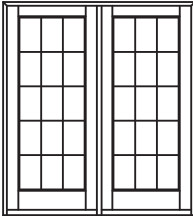
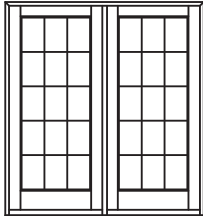
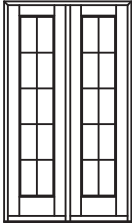
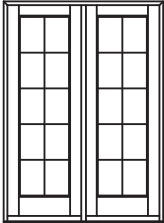
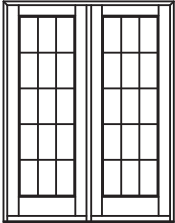
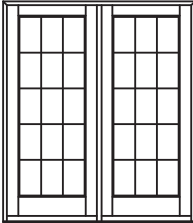
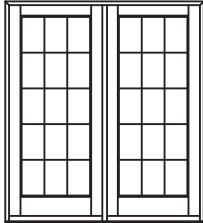
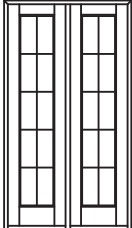
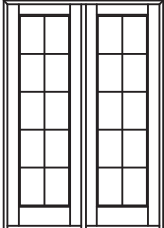
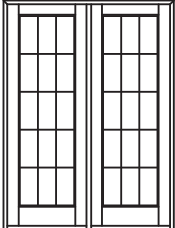
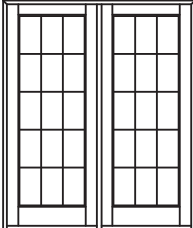
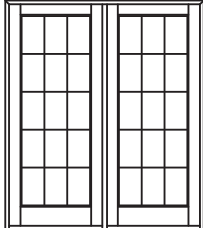
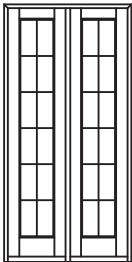
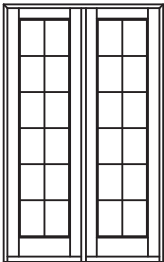
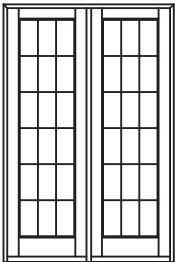
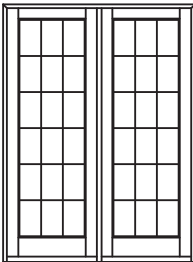
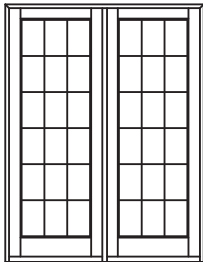
Clad Unit Dimension	2'-0 5/16"	2'-6 5/16"	2'-8 5/16"	3'-0 5/16"	3'-1 9/16"
Rough Opening	2'-0 1/16"	2'-7 1/16"	2'-9 1/16"	3'-1 1/16"	3'-2 5/16"
Soft Metric R.O. (mm)	611	789	840	941	973
Glass Size	13 1/16"	19 1/16"	21 1/16"	25 1/16"	25 5/16"

6'-7 1/2"	1-2168	1-2768	1-2968	1-3168	1-3268
6'-8"					
6'-10 1/2"	1-21610	1-27610	1-29610	1-31610	1-32610
7'-2"	1-2172	1-2772	1-2972	1-3172	1-3272
7'-2 1/2"					
8'-0"	1-2180	1-2780	1-2980	1-3180	1-3280
8'-0 1/2"					
8'-5 1/16"					

Verify local or state egress opening sizes with your local building inspector.

In-Swing or Out-Swing Hinged Patio Door (8510/8610) Elevations

Clad Unit Dimension	3'-11 1/4"	4'-11 1/4"	5'-3 1/4"	5'-11 1/4"	6'-1 11/16"
Rough Opening	4'-0"	5'-0"	5'-4"	6'-0"	6'-2 7/16"
Soft Metric R.O. (mm)	1219	1524	1626	1829	1891
Glass Size	13 1/16"	19 1/16"	21 1/16"	25 1/16"	26 9/32"

<p>6'-7 1/2"</p> <p>6'-8"</p> <p>2032</p> <p>64 13/16"</p>	 2-4068	 2-5068	 2-5468	 2-6068	 2-6268
<p>6'-10"</p> <p>6'-10 1/2"</p> <p>2032</p> <p>67 5/16"</p>	 2-40610	 2-50610	 2-54610	 2-60610	 2-62610
<p>7'-2"</p> <p>7'-2 1/2"</p> <p>2197</p> <p>71 5/16"</p>	 2-4072	 2-5072	 2-5472	 2-6072	 2-6272
<p>8'-0"</p> <p>8'-0 1/2"</p> <p>2451</p> <p>81 5/16"</p>	 2-4080	 2-5080	 2-5480	 2-6080	 2-6280

Verify local or state egress opening sizes with your local building inspector.

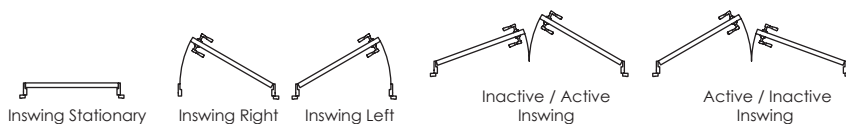
In-Swing Hinged Patio Door (8510) Opening Specifications

Ordering Size			Sq. Ft. Clear Opening		Clear Opening ^A inches			Sq. Ft. Daylight Opening	Sq. Ft. Vent		Sq. Ft. Overall Unit Area ^B
			1 Oper. Panel	2 Oper. Panels	Width		Height	with 7-1/2" Bottom Rail	1 Oper. Panel	2 Oper. Panels	
					1 Oper. Panel	2 Oper. Panels					
2-1	x	6-8	10.40	---	19.66	---	76.18	5.39	10.40	---	13.43
2-7	x	6-8	13.58	---	25.66	---	76.18	8.05	13.58	---	16.74
2-9	x	6-8	14.64	---	27.66	---	76.18	8.93	14.64	---	17.85
3-1	x	6-8	16.75	---	31.66	---	76.18	10.70	16.75	---	20.06
3-2	x	6-8	17.40	---	32.88	---	76.18	11.24	17.40	---	20.75
4-0	x	6-8	10.28	21.55	19.44	40.74	76.18	10.78	10.28	21.55	26.10
5-0	x	6-8	13.46	27.90	25.44	52.74	76.18	16.10	13.46	27.90	32.72
5-4	x	6-8	14.51	30.02	27.44	56.74	76.18	17.86	14.51	30.02	34.93
6-0	x	6-8	16.63	34.25	31.44	64.74	76.18	21.40	16.63	34.25	39.35
6-2	x	6-8	17.27	35.54	32.65	67.18	76.18	22.48	17.27	35.54	40.70
2-1	x	6-10	10.74	---	19.66	---	78.68	5.60	10.74	---	13.85
2-7	x	6-10	14.02	---	25.66	---	78.68	8.36	14.02	---	17.27
2-9	x	6-10	15.12	---	27.66	---	78.68	9.28	15.12	---	18.41
3-1	x	6-10	17.30	---	31.66	---	78.68	11.12	17.30	---	20.69
3-2	x	6-10	17.97	---	32.88	---	78.68	11.69	17.97	---	21.40
4-0	x	6-10	10.62	22.26	19.44	40.74	78.68	11.20	10.62	22.26	26.92
5-0	x	6-10	13.90	28.82	25.44	52.74	78.68	16.72	13.90	28.82	33.75
5-4	x	6-10	14.99	31.00	27.44	56.74	78.68	18.56	14.99	31.00	36.03
6-0	x	6-10	17.18	35.37	31.44	64.74	78.68	22.24	17.18	35.37	40.59
6-2	x	6-10	17.84	36.71	32.65	67.18	78.68	23.38	17.84	36.71	41.98
2-1	x	7-2	11.29	---	19.66	---	82.68	5.94	11.29	---	14.53
2-7	x	7-2	14.74	---	25.66	---	82.68	8.87	14.74	---	18.11
2-9	x	7-2	15.88	---	27.66	---	82.68	9.84	15.88	---	19.30
3-1	x	7-2	18.18	---	31.66	---	82.68	11.80	18.18	---	21.69
3-2	x	7-2	18.88	---	32.88	---	82.68	12.39	18.88	---	22.44
4-0	x	7-2	11.16	23.39	19.44	40.74	82.68	11.88	11.16	23.39	28.23
5-0	x	7-2	14.60	30.28	25.44	52.74	82.68	17.74	14.60	30.28	35.40
5-4	x	7-2	15.75	32.58	27.44	56.74	82.68	19.68	15.75	32.58	37.79
6-0	x	7-2	18.05	37.17	31.44	64.74	82.68	23.60	18.05	37.17	42.57
6-2	x	7-2	18.75	38.57	32.65	67.18	82.68	24.78	18.75	38.57	44.02

^A All calculations assume operating panel is open 90 degrees.

^B Sq. Ft. Overall Unit Area is calculated on the jamb dimension.
Verify local or state egress opening sizes with your local building inspector.

Side Hinged Patio Door In-Swing Hinge Codes

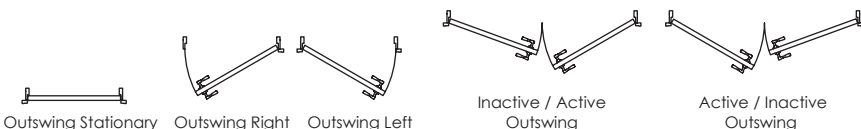


Out-Swing Hinged Patio Door (8610) Opening Specifications

Ordering Size			Sq. Ft. Clear Opening		Clear Opening ^A inches			Sq. Ft. Daylight Opening	Sq. Ft. Vent		Sq. Ft. Overall Unit Area ^B
			1 Oper. Panel	2 Oper. Panels	Width		Height	7-1/2" Bottom Rail	1 Oper. Panel	2 Oper. Panels	
					1 Oper. Panel	2 Oper. Panels					
2-1	x	6-8	10.36	---	19.77	---	75.48	5.39	10.36	---	13.43
2-7	x	6-8	13.51	---	25.77	---	75.48	8.05	13.51	---	16.74
2-9	x	6-8	14.56	---	27.77	---	75.48	8.93	14.56	---	17.85
3-1	x	6-8	16.65	---	31.77	---	75.48	10.70	16.65	---	20.06
3-2	x	6-8	17.29	---	32.99	---	75.48	11.24	17.29	---	20.75
4-0	x	6-8	10.19	21.31	19.44	40.66	75.48	10.78	10.19	21.31	26.10
5-0	x	6-8	13.33	27.61	25.44	52.66	75.48	16.10	13.33	27.61	32.72
5-4	x	6-8	14.38	29.70	27.44	56.66	75.48	17.86	14.38	29.70	34.93
6-0	x	6-8	16.48	33.90	31.44	64.66	75.48	21.40	16.48	33.90	39.35
6-2	x	6-8	17.13	35.17	32.69	67.10	75.48	22.48	17.13	35.17	40.70
2-1	x	6-10	10.71	---	19.77	---	77.98	5.60	10.71	---	13.85
2-7	x	6-10	13.96	---	25.77	---	77.98	8.36	13.96	---	17.27
2-9	x	6-10	15.04	---	27.77	---	77.98	9.28	15.04	---	18.41
3-1	x	6-10	17.20	---	31.77	---	77.98	11.12	17.20	---	20.69
3-2	x	6-10	17.86	---	32.99	---	77.98	11.69	17.86	---	21.40
4-0	x	6-10	10.53	22.02	19.44	40.66	77.98	11.20	10.53	22.02	26.92
5-0	x	6-10	13.78	28.52	25.44	52.66	77.98	16.72	13.78	28.52	33.75
5-4	x	6-10	14.86	30.69	27.44	56.66	77.98	18.56	14.86	30.69	36.03
6-0	x	6-10	17.02	35.02	31.44	64.66	77.98	22.24	17.02	35.02	40.59
6-2	x	6-10	17.70	36.34	32.69	67.10	77.98	23.38	17.70	36.34	41.98
2-1	x	7-2	11.26	---	19.77	---	81.98	5.94	11.26	---	14.53
2-7	x	7-2	14.67	---	25.77	---	81.98	8.87	14.67	---	18.11
2-9	x	7-2	15.81	---	27.77	---	81.98	9.84	15.81	---	19.30
3-1	x	7-2	18.09	---	31.77	---	81.98	11.80	18.09	---	21.69
3-2	x	7-2	18.78	---	32.99	---	81.98	12.39	18.78	---	22.44
4-0	x	7-2	11.07	23.15	19.44	40.66	81.98	11.88	11.07	23.15	28.23
5-0	x	7-2	14.48	29.98	25.44	52.66	81.98	17.74	14.48	29.98	35.40
5-4	x	7-2	15.62	32.26	27.44	56.66	81.98	19.68	15.62	32.26	37.79
6-0	x	7-2	17.90	36.81	31.44	64.66	81.98	23.60	17.90	36.81	42.57
6-2	x	7-2	18.61	38.20	32.69	67.10	81.98	24.78	18.61	38.20	44.02

^A All calculations assume operating panel is open 90 degrees.
^B Sq. Ft. Overall Unit Area is calculated on the jamb dimension.
 Verify local or state egress opening sizes with your local building inspector.

Side Hinged Patio Door Out-Swing Hinge Codes



Out-Swing Hinged Patio Door (8610) Opening Specifications — Low profile Sill

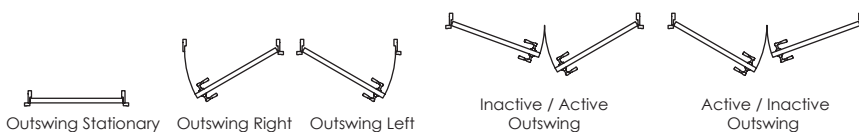
Ordering Size			Sq. Ft. Clear Opening		Clear Opening ^A inches			Sq. Ft. Daylight Opening	Sq. Ft. Vent		Sq. Ft. Overall Unit Area ^B
			1 Oper. Panel	2 Oper. Panels	Width		Height	7-1/2" Bottom Rail	1 Oper. Panel	2 Oper. Panels	
					1 Oper. Panel	2 Oper. Panels					
2-1	x	6-8	10.39	---	19.77	---	75.66	5.39	10.39	---	13.32
2-7	x	6-8	13.54	---	25.77	---	75.66	8.05	13.54	---	16.61
2-9	x	6-8	14.59	---	27.77	---	75.66	8.93	14.59	---	17.71
3-1	x	6-8	16.69	---	31.77	---	75.66	10.70	16.69	---	19.90
3-2	x	6-8	17.33	---	32.99	---	75.66	11.24	17.33	---	20.58
4-0	x	6-8	10.21	21.36	19.44	40.66	75.66	10.78	10.21	21.36	25.89
5-0	x	6-8	13.37	27.67	25.44	52.66	75.66	16.10	13.37	27.67	32.47
5-4	x	6-8	14.42	29.77	27.44	56.66	75.66	17.86	14.42	29.77	34.66
6-0	x	6-8	16.52	33.97	31.44	64.66	75.66	21.40	16.52	33.97	39.04
6-2	x	6-8	17.17	35.26	32.69	67.10	75.66	22.48	17.17	35.26	40.38
2-1	x	6-10	10.73	---	19.77	---	78.16	5.60	10.73	---	13.74
2-7	x	6-10	13.99	---	25.77	---	78.16	8.36	13.99	---	17.14
2-9	x	6-10	15.07	---	27.77	---	78.16	9.28	15.07	---	18.27
3-1	x	6-10	17.24	---	31.77	---	78.16	11.12	17.24	---	20.53
3-2	x	6-10	17.91	---	32.99	---	78.16	11.69	17.91	---	21.23
4-0	x	6-10	10.55	22.07	19.44	40.66	78.16	11.20	10.55	22.07	26.71
5-0	x	6-10	13.81	28.58	25.44	52.66	78.16	16.72	13.81	28.58	33.50
5-4	x	6-10	14.89	30.76	27.44	56.66	78.16	18.56	14.89	30.76	35.76
6-0	x	6-10	17.06	35.10	31.44	64.66	78.16	22.24	17.06	35.10	40.28
6-2	x	6-10	17.74	36.42	32.69	67.10	78.16	23.38	17.74	36.42	41.66
2-1	x	7-2	11.28	---	19.77	---	82.16	5.94	11.28	---	14.42
2-7	x	7-2	14.70	---	25.77	---	82.16	8.87	14.70	---	17.98
2-9	x	7-2	15.84	---	27.77	---	82.16	9.84	15.84	---	19.16
3-1	x	7-2	18.13	---	31.77	---	82.16	11.80	18.13	---	21.54

^A All calculations assume operating panel is open 90 degrees.

^B Sq. Ft. Overall Unit Area is calculated on the jamb dimension.

Verify local or state egress opening sizes with your local building inspector.

Side Hinged Patio Door Out-Swing Hinge Codes



Out-Swing Hinged Patio Door (8610) Opening Specifications — ADA Sill

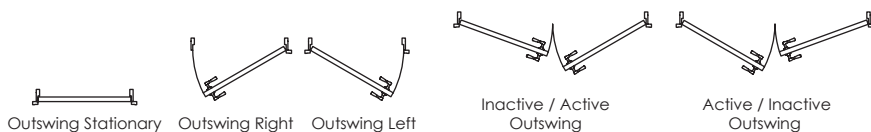
Ordering Size			Sq. Ft. Clear Opening		Clear Opening ^A inches			Sq. Ft. Daylight Opening	Sq. Ft. Vent		Sq. Ft. Overall Unit Area ^B
			1 Oper. Panel	2 Oper. Panels	Width		Height	7-1/2" Bottom Rail	1 Oper. Panel	2 Oper. Panels	
					1 Oper. Panel	2 Oper. Panels					
2-1	x	6-8	10.47	---	19.77	---	76.28	5.39	10.47	---	13.17
2-7	x	6-8	13.65	---	25.77	---	76.28	8.05	13.65	---	16.43
2-9	x	6-8	14.71	---	27.77	---	76.28	8.93	14.71	---	17.51
3-1	x	6-8	16.83	---	31.77	---	76.28	10.70	16.83	---	19.68
3-2	x	6-8	17.48	---	32.99	---	76.28	11.24	17.48	---	20.35
4-0	x	6-8	10.30	21.54	19.44	40.66	76.28	10.78	10.30	21.54	25.60
5-0	x	6-8	13.48	27.90	25.44	52.66	76.28	16.10	13.48	27.90	32.11
5-4	x	6-8	14.53	30.02	27.44	56.66	76.28	17.86	14.53	30.02	34.27
6-0	x	6-8	16.65	34.25	31.44	64.66	76.28	21.40	16.65	34.25	38.61
6-2	x	6-8	17.32	35.55	32.69	67.10	76.28	22.48	17.32	35.55	39.93
2-1	x	6-10	10.82	---	19.77	---	78.78	5.60	10.82	---	13.60
2-7	x	6-10	14.10	---	25.77	---	78.78	8.36	14.10	---	16.95
2-9	x	6-10	15.19	---	27.77	---	78.78	9.28	15.19	---	18.07
3-1	x	6-10	17.38	---	31.77	---	78.78	11.12	17.38	---	20.31
3-2	x	6-10	18.05	---	32.99	---	78.78	11.69	18.05	---	21.01
4-0	x	6-10	10.63	22.25	19.44	40.66	78.78	11.20	10.63	22.25	26.42
5-0	x	6-10	13.92	28.81	25.44	52.66	78.78	16.72	13.92	28.81	33.14
5-4	x	6-10	15.01	31.00	27.44	56.66	78.78	18.56	15.01	31.00	35.37
6-0	x	6-10	17.20	35.38	31.44	64.66	78.78	22.24	17.20	35.38	39.85
6-2	x	6-10	17.88	36.71	32.69	67.10	78.78	23.38	17.88	36.71	41.21
2-1	x	7-2	11.37	---	19.77	---	82.78	5.94	11.37	---	14.27
2-7	x	7-2	14.81	---	25.77	---	82.78	8.87	14.81	---	17.79
2-9	x	7-2	15.96	---	27.77	---	82.78	9.84	15.96	---	18.97
3-1	x	7-2	18.26	---	31.77	---	82.78	11.80	18.26	---	21.32

^A All calculations assume operating panel is open 90 degrees.

^B Sq. Ft. Overall Unit Area is calculated on the jamb dimension.

Verify local or state egress opening sizes with your local building inspector.

Side Hinged Patio Door Out-Swing Hinge Codes



In-Swing or Out-Swing Hinged Patio Door Sidelites (8510/8610) Opening Specifications

Ordering Size			Sq. Ft. Daylight Opening	Sq. Ft. Overall Unit Area ^B		
			7-1/2" Bottom Rail	Standard Sill	ADA Sill	Low Profile Sill (Outswing Frame Only)
1-3	x	6-8	3.10	7.99	7.84	7.93
1-5	x	6-8	3.99	9.10	8.92	9.02
1-7	x	6-8	4.87	10.20	10.01	10.12
1-9	x	6-8	5.76	11.30	11.09	11.22
1-3	x	6-10	3.22	8.24	8.09	8.18
1-5	x	6-10	4.14	9.38	9.21	9.31
1-7	x	6-10	5.07	10.52	10.33	10.44
1-9	x	6-10	5.99	11.66	11.45	11.57
1-3	x	7-2	3.42	8.64	8.49	8.58
1-5	x	7-2	4.39	9.84	9.67	9.77
1-7	x	7-2	5.37	11.03	10.84	10.95
1-9	x	7-2	6.35	12.23	12.02	12.14
1-3	x	8-0	3.90	9.65	9.50	9.59
1-5	x	8-0	5.02	10.98	10.81	10.91
1-7	x	8-0	6.13	12.32	12.12	12.24
1-9	x	8-0	7.25	13.65	13.44	13.56

Verify local or state egress opening sizes with your local building inspector.

^A Sq. Ft. Overall Unit Area is calculated on the jamb dimension.

Hinged Patio Door Transom Elevations

Clad Unit Dimension	2'-0 5/16"	2'-6 5/16"	2'-8 5/16"	3'-0 5/16"	3'-1 9/16"	4'-11 1/4"	5'-3 1/4"
Rough Opening	2'-1 1/16"	2'-7 1/16"	2'-9 1/16"	3'-1 1/16"	3'-2 5/16"	5'-0"	5'-4"
Soft Metric R.O. (mm)	611	789	840	941	973	1524	1626
Glass Size	22 13/16"	28 13/16"	30 13/16"	34 13/16"	36 1/16"	57 3/4"	61 3/4"

1'-0"	1'-0"	1'-0"	1'-0"	1'-0"	1'-0"	1'-0"
1'-8"	1'-8"	1'-8"	1'-8"	1'-8"	1'-8"	1'-8"
2'-0"	2'-0"	2'-0"	2'-0"	2'-0"	2'-0"	2'-0"
2'-4"	2'-4"	2'-4"	2'-4"	2'-4"	2'-4"	2'-4"
724	724	724	724	724	724	724
26 1/2"	26 1/2"	26 1/2"	26 1/2"	26 1/2"	26 1/2"	26 1/2"

2110	2710	2910	3110	3210	5010	5410
2118	2718	2918	3118	3218	5018	5418
2120	2720	2920	3120	3220	5020	5420
2124	2724	2924	3124	3224	5024	5424

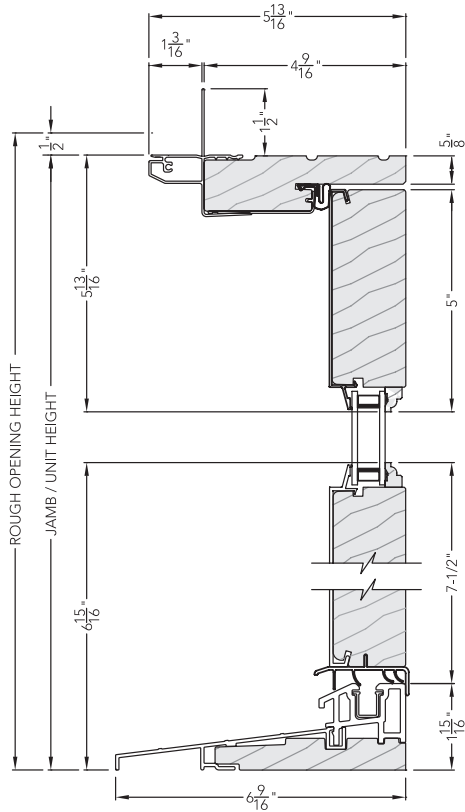
Clad Unit Dimension	5'-11 1/4"	6'-1 11/16"
Rough Opening	6'-0"	6'-2 7/16"
Soft Metric R.O. (mm)	1829	1891
Glass Size	69 3/4"	72 3/16"

1'-0"	1'-0"
1'-8"	1'-8"
2'-0"	2'-0"
2'-4"	2'-4"
724	724
26 1/2"	26 1/2"

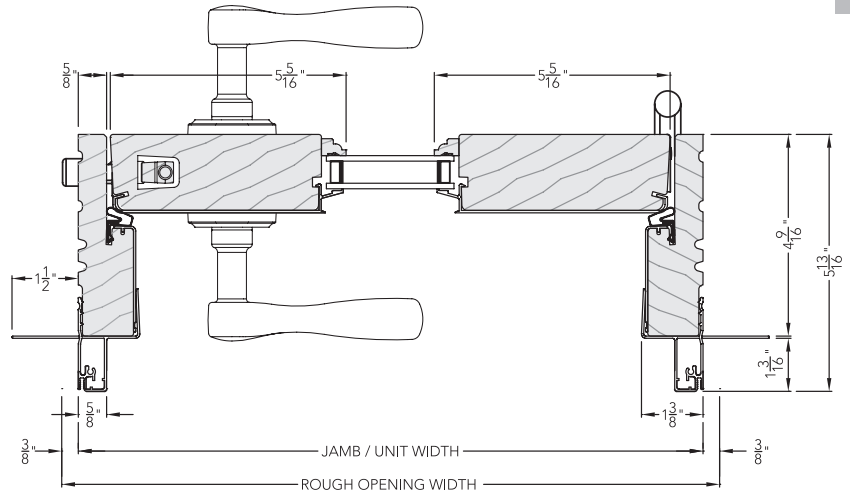
6010	6210
6018	62018
6020	6220
6024	6224

Verify local or state egress opening sizes with your local building inspector.

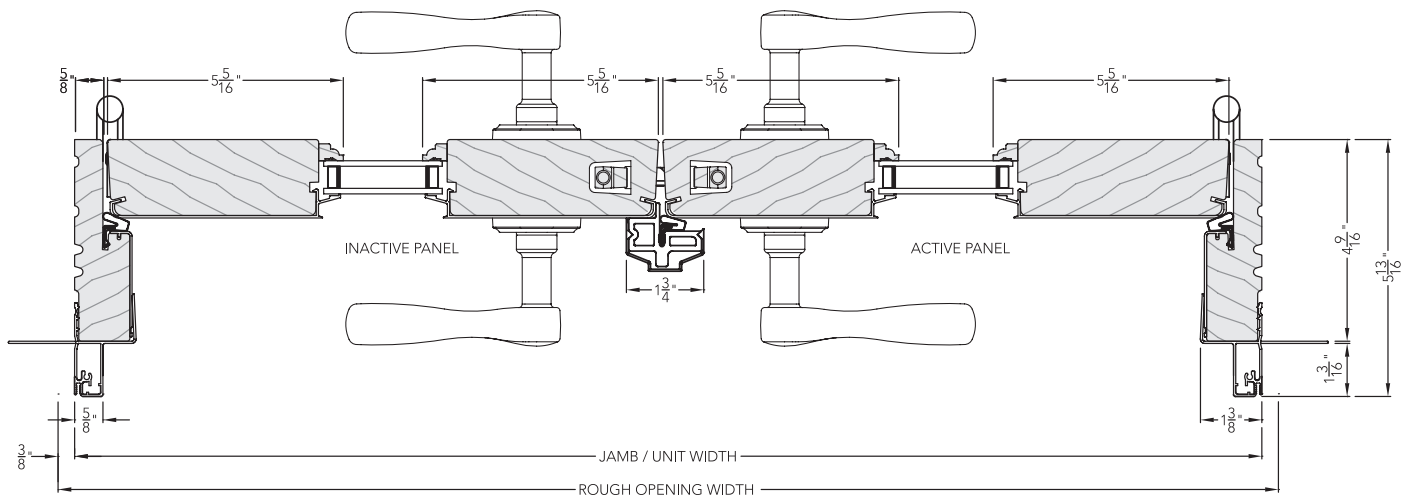
In-Swing Hinged Patio Door (8510) Cross Sections



ELITE PREMIUM CLAD IN-SWING PATIO DOOR
Vertical Section



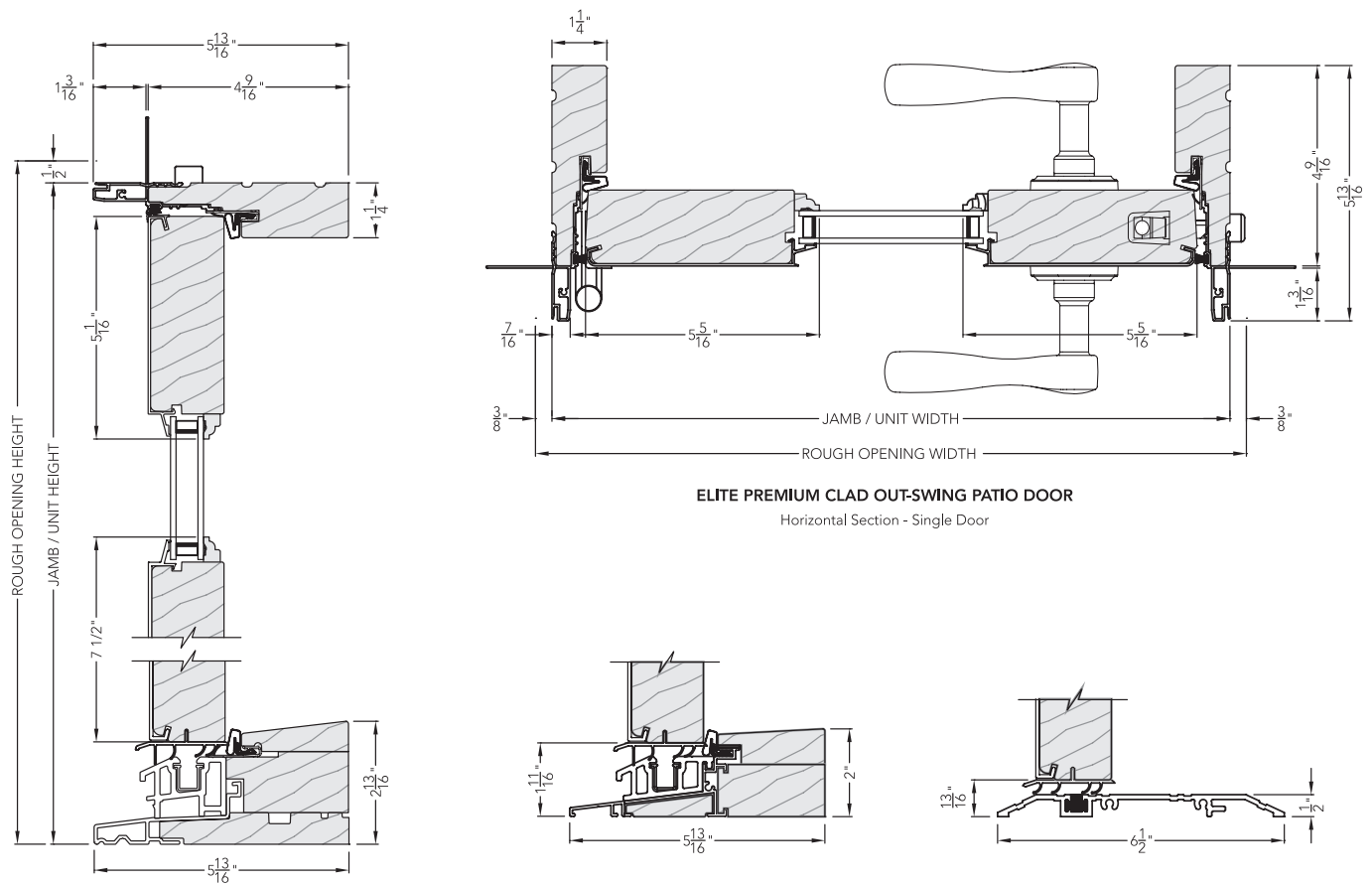
ELITE PREMIUM CLAD IN-SWING PATIO DOOR
Horizontal Section - Single Door



ELITE PREMIUM CLAD IN-SWING PATIO DOOR
Horizontal Section - Double Door

Out-Swing Hinged Patio Door (8610)

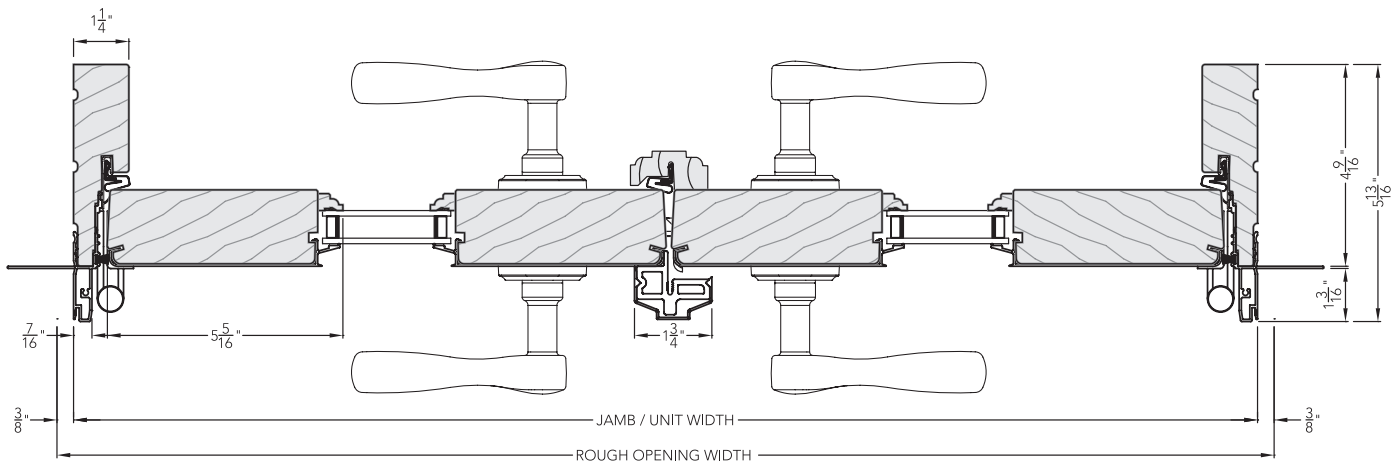
Cross Sections



ELITE PREMIUM CLAD OUT-SWING PATIO DOOR
Vertical Section - Standard Sill

ELITE PREMIUM CLAD OUT-SWING PATIO DOOR
Vertical Section - Alternate Low Profile Sill

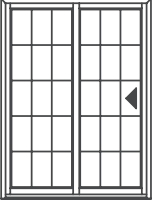
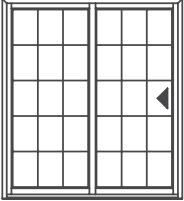
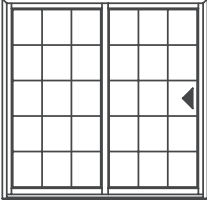
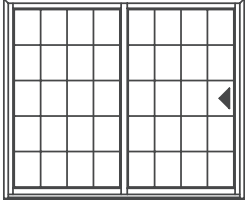
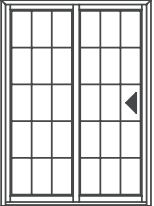
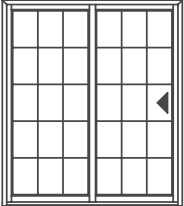
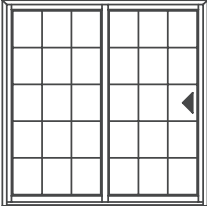
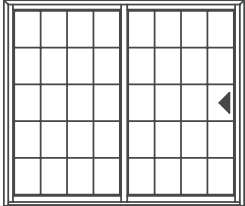
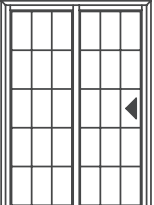
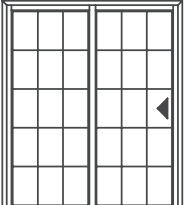
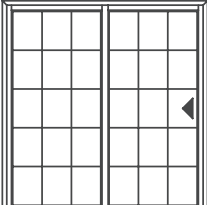
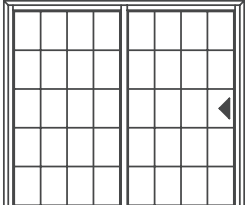
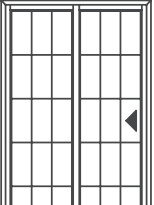
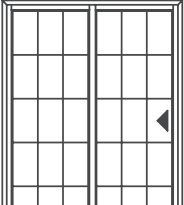
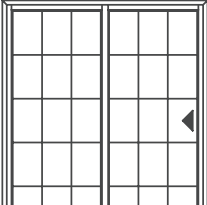
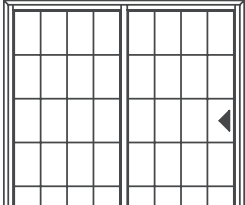
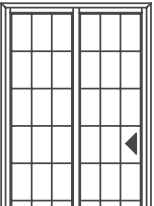
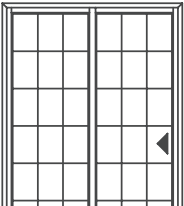
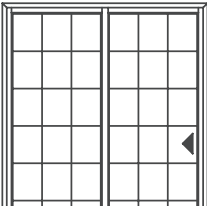
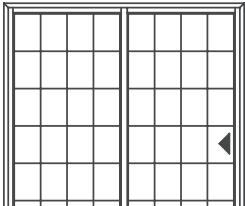
ELITE PREMIUM CLAD OUT-SWING PATIO DOOR
Vertical Section - ADA Sill



ELITE PREMIUM CLAD FRENCH OUT-SWING PATIO DOOR
Horizontal Section - Double Door

Sliding Patio Door (8714) Elevations

Unit Dimension	4'-11 9/16"	5'-11 9/16"	6'-9 9/16"	7'-11 9/16"
Rough Opening	5'-0 5/16"	6'-0 5/16"	6'-10 5/16"	8'-0 5/16"
Soft Metric R.O. (mm)	1532	1837	2091	2446
Glass Size	24 7/8"	30 7/8"	35 7/8"	42 7/8"

6'-7 1/2"	6'-8"	2032	71 7/16"	 5068	 6068	 61068	 8068
6'-10"	6'-10 1/2"	2096	73 15/16"	 50610	 60610	 610610	 80610
7'-2"	7'-2 1/2"	2197	77 15/16"	 5072	 6072	 61072	 8072
8'-0"	8'-0 1/2"	2451	87 15/16"	 5080	 6080	 61080	 8080
8'-2"	8'-2 1/2"	2502	89 15/16"	 5082	 6082	 61082	 8082

NOTE: Two panel units are also available in reverse operation (IA)

Verify local or state egress opening sizes with your local building inspector.

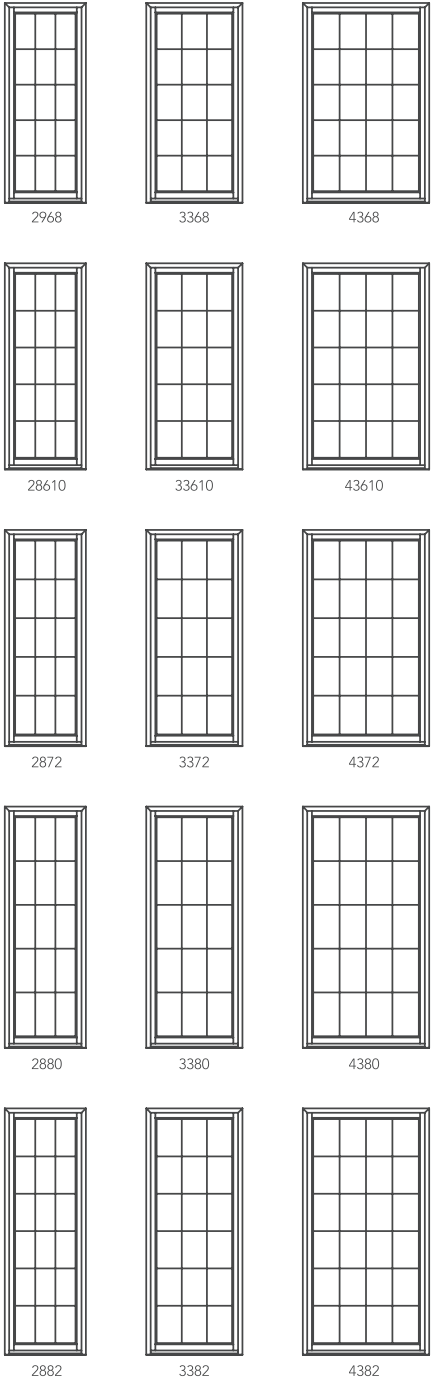
Sliding Patio Door (8714) Elevations

Stationary Doors

SLIDING PATIO DOORS

Unit Dimension	2'-8 1/4"	3'-2 1/4"	4'-2 1/4"
Rough Opening	2'-9"	3'-3"	4'-3"
Soft Metric R.O. (mm)	838	991	1295
Glass Size	24 7/8"	30 7/8"	42 7/8"

6'-7 1/2"	6'-10"	7'-2"	8'-0"	8'-2"
6'-8"	6'-10 1/2"	7'-2 1/2"	8'-0 1/2"	8'-2 1/2"
2032	2096	2197	2451	2502
71 7/16"	73 15/16"	77 15/16"	87 15/16"	89 15/16"



Verify local or state egress opening sizes with your local building inspector.

Sliding Patio Door (8714) Opening Specifications

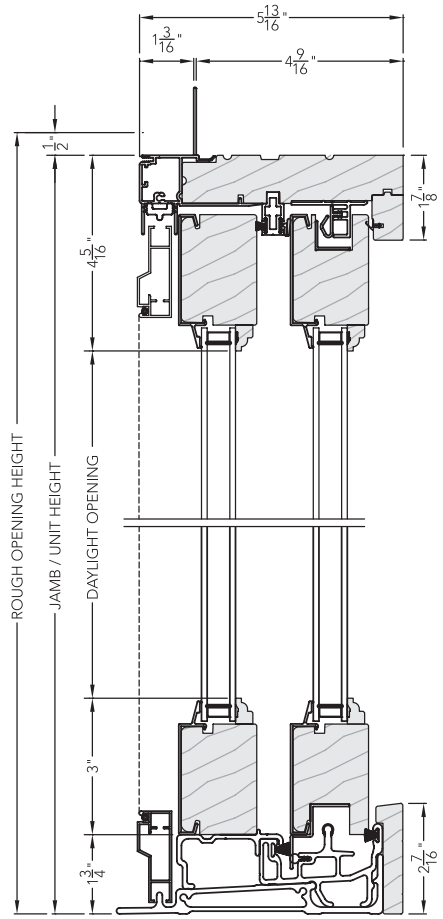
	Ordering Size	Sq. Ft. Clear Opening	Clear Opening		Sq. Ft. Daylight Opening	Sq. Ft. Vent	Sq. Ft. Overall Unit Area [^]
			Width	Height			
2-PANEL DOORS	5-0 x 6-8	11.33	21.69	75.25	23.52	11.33	32.88
	6-0 x 6-8	14.47	27.69	75.25	29.40	14.47	39.51
	6-10 x 6-8	17.08	32.69	75.25	34.30	17.08	45.03
	8-0 x 6-8	20.74	39.69	75.25	41.16	20.74	52.76
	5-0 x 6-10	11.71	21.69	77.75	24.35	11.71	33.92
	6-0 x 6-10	14.95	27.69	77.75	30.44	14.95	40.75
	6-10 x 6-10	17.65	32.69	77.75	35.52	17.65	46.45
	8-0 x 6-10	21.43	39.69	77.75	42.62	21.43	54.42
	5-0 x 7-2	12.31	21.69	81.75	25.69	12.31	35.57
	6-0 x 7-2	15.72	27.69	81.75	32.11	15.72	42.74
	6-10 x 7-2	18.56	32.69	81.75	37.46	18.56	48.71
	8-0 x 7-2	22.53	39.69	81.75	44.95	22.53	57.07
	5-0 x 8-0	13.82	21.69	91.75	29.02	13.82	39.71
	6-0 x 8-0	17.64	27.69	91.75	36.28	17.64	47.71
	6-10 x 8-0	20.83	32.69	91.75	42.32	20.83	54.38
	8-0 x 8-0	25.29	39.69	91.75	50.79	25.29	63.71
	5-0 x 8-2	14.12	21.69	93.75	29.69	14.12	40.54
	6-0 x 8-2	18.03	27.69	93.75	37.11	18.03	48.70
	6-10 x 8-2	21.28	32.69	93.75	43.29	21.28	55.51
	8-0 x 8-2	25.84	39.69	93.75	51.95	25.84	65.04
3-PANEL DOORS	7-8 x 6-8	11.33	21.67	75.25	35.28	11.33	50.15
	9-2 x 6-8	14.46	27.67	75.25	44.10	14.46	60.09
	12-2 x 6-8	20.73	39.67	75.25	61.74	20.73	79.97
	7-8 x 6-10	11.70	21.67	77.75	36.53	11.70	51.73
	9-2 x 6-10	14.94	27.67	77.75	45.66	14.94	61.98
	12-2 x 6-10	21.42	39.67	77.75	63.93	21.42	82.48
	7-8 x 7-2	12.30	21.67	81.75	38.53	12.30	54.25
	9-2 x 7-2	15.71	27.67	81.75	48.16	15.71	65.00
	12-2 x 7-2	22.52	39.67	81.75	67.43	22.52	86.50
	7-8 x 8-0	13.81	21.67	91.75	43.53	13.81	60.56
	9-2 x 8-0	17.63	27.67	91.75	54.41	17.63	72.56
	12-2 x 8-0	25.28	39.67	91.75	76.18	25.28	96.56
	7-8 x 8-2	14.11	21.67	93.75	44.53	14.11	61.82
	9-2 x 8-2	18.02	27.67	93.75	55.66	18.02	74.07
	12-2 x 8-2	25.83	39.67	93.75	77.93	25.83	98.57
	4-PANEL DOORS	9-10 x 6-8	23.04	44.09	75.25	47.04	23.04
11-10 x 6-8		29.31	56.09	75.25	58.80	29.31	77.98
15-10 x 6-8		41.85	80.09	75.25	82.32	41.85	104.48
9-10 x 6-10		23.80	44.09	77.75	48.71	23.80	66.77
11-10 x 6-10		30.28	56.09	77.75	60.89	30.28	80.43
15-10 x 6-10		43.24	80.09	77.75	85.24	43.24	107.77
9-10 x 7-2		25.03	44.09	81.75	51.38	25.03	70.02
11-10 x 7-2		31.84	56.09	81.75	64.22	31.84	84.36
15-10 x 7-2		45.46	80.09	81.75	89.91	45.46	113.02
9-10 x 8-0		28.09	44.09	91.75	58.04	28.09	78.17
11-10 x 8-0		35.73	56.09	91.75	72.55	35.73	94.17
15-10 x 8-0		51.03	80.09	91.75	101.57	51.03	126.17
9-10 x 8-2		28.70	44.09	93.75	59.38	28.70	79.80
11-10 x 8-2		36.51	56.09	93.75	74.22	36.51	96.13
15-10 x 8-2	52.14	80.09	93.75	103.91	52.14	128.80	

[^]Sq. Ft. Overall Unit Area is calculated on the jamb dimension.

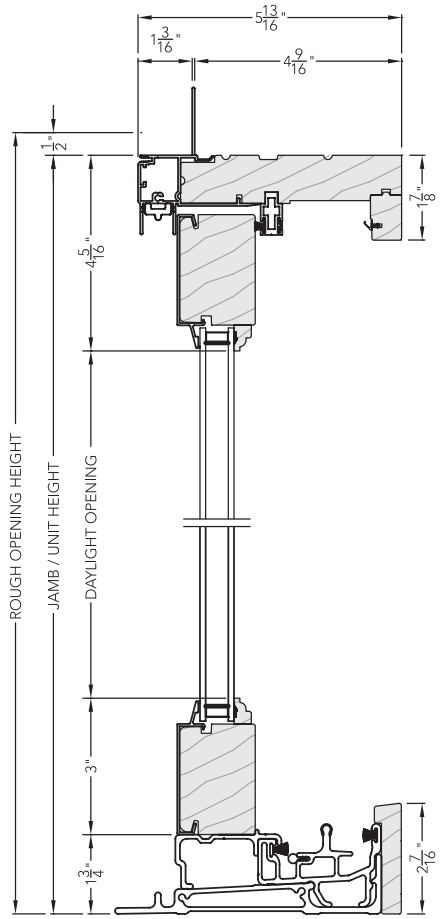
Verify local or state egress opening sizes with your local building inspector.

Sliding Patio Door (8714) Cross Sections

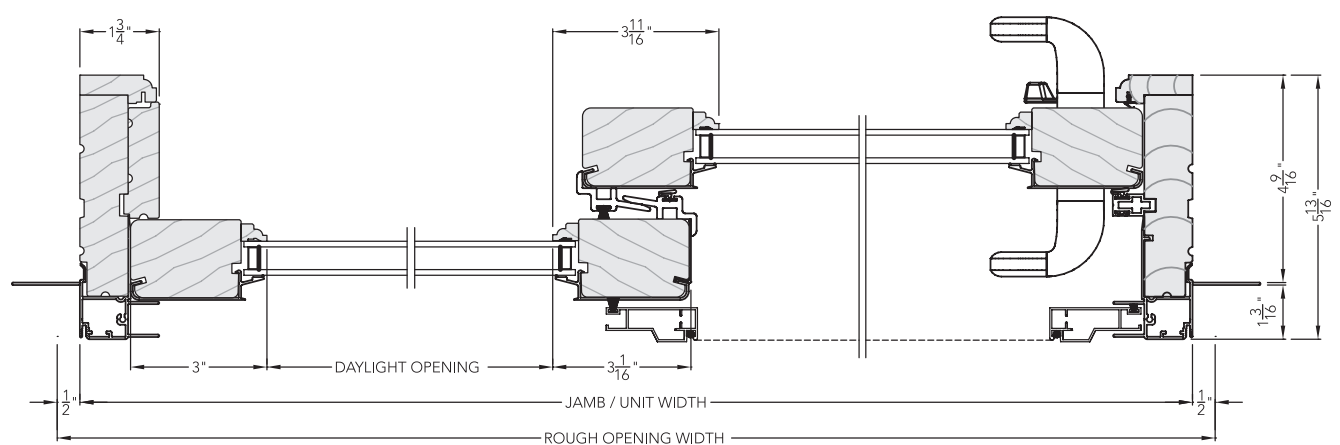
SLIDING PATIO DOORS



ELITE PREMIUM CLAD SLIDING PATIO DOOR
Vertical Section

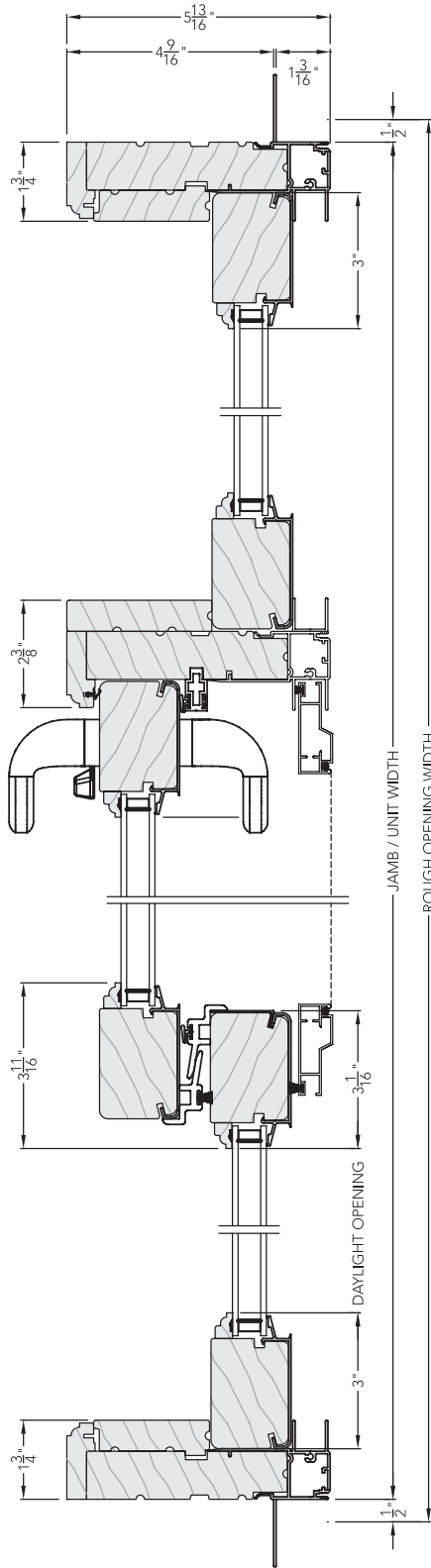


ELITE PREMIUM CLAD SLIDING PATIO DOOR
Vertical Section - Fixed Sidelite

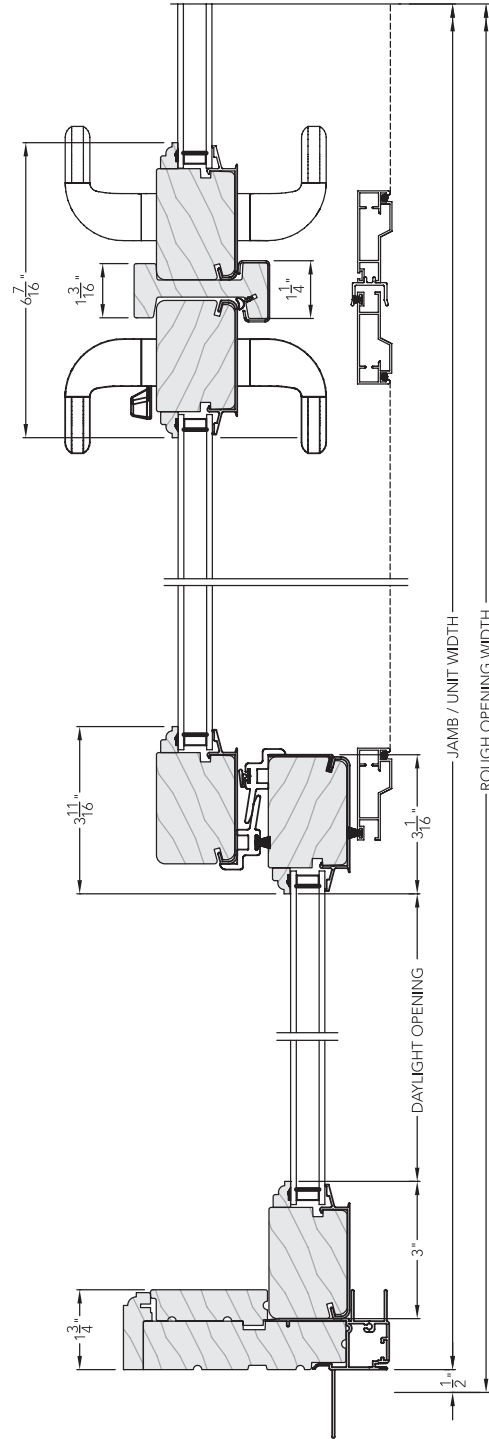


ELITE PREMIUM CLAD SLIDING PATIO DOOR
Horizontal Section

Sliding Patio Door (8714) Cross Sections



ELITE PREMIUM CLAD SLIDING PATIO DOOR
Horizontal Section - 3 Panel Door



ELITE PREMIUM CLAD SLIDING PATIO DOOR
Horizontal Section - 4-Panel Door

SLIDING PATIO DOORS

French Sliding Patio Door (8715)

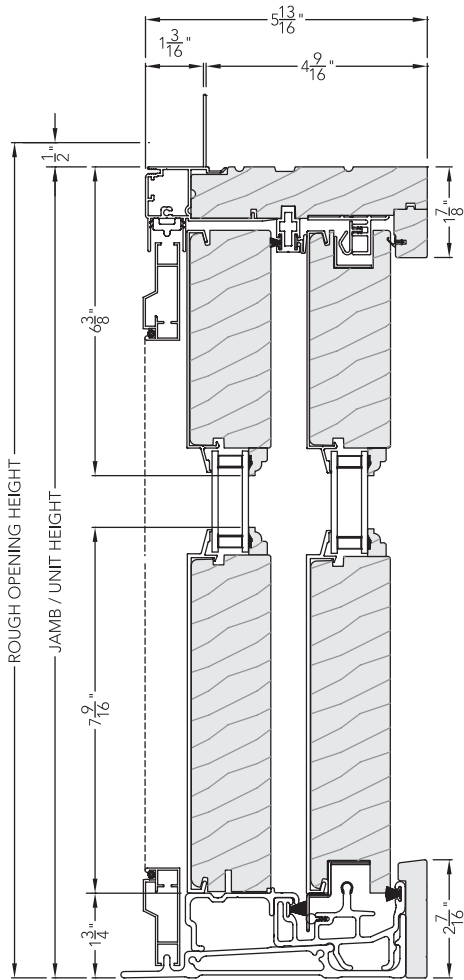
Opening Specifications

SLIDING PATIO DOORS

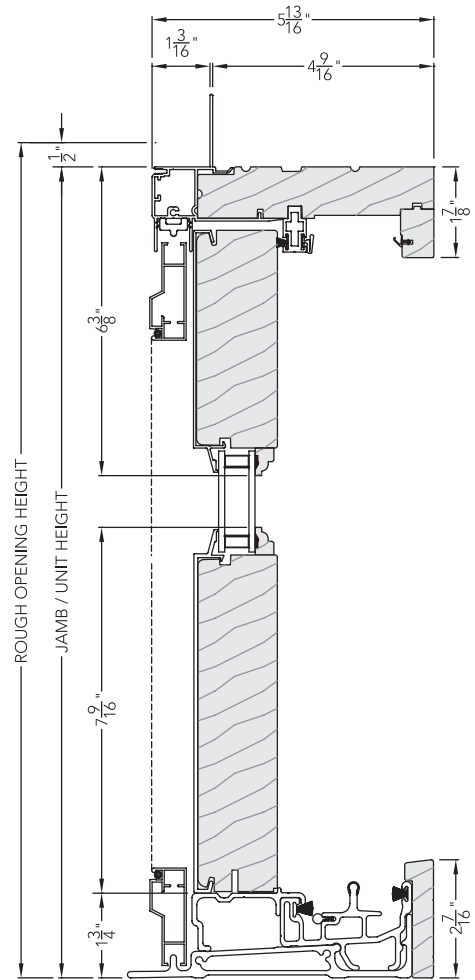
	Ordering Size	Sq. Ft. Clear Opening	Clear Opening		Sq. Ft. Daylight Opening	Sq. Ft. Vent	Sq. Ft. Overall Unit Area ^A
			Width	Height			
2-PANEL DOORS	5-0 x 6-8	10.86	20.78	75.25	17.96	10.86	32.88
	6-0 x 6-8	13.99	26.78	75.25	23.29	13.99	39.51
	8-0 x 6-8	20.26	38.78	75.25	33.96	20.26	52.76
	5-0 x 6-10	11.22	20.78	77.75	18.67	11.22	33.92
	6-0 x 6-10	14.46	26.78	77.75	24.20	14.46	40.75
	8-0 x 6-10	20.94	38.78	77.75	35.28	20.94	54.42
	5-0 x 7-2	11.79	20.78	81.75	19.79	11.79	35.57
	6-0 x 7-2	15.20	26.78	81.75	25.66	15.20	42.74
	8-0 x 7-2	22.01	38.78	81.75	37.41	22.01	57.07
	5-0 x 8-0	13.24	20.78	91.75	22.60	13.24	39.71
	6-0 x 8-0	17.06	26.78	91.75	29.30	17.06	47.71
	8-0 x 8-0	24.71	38.78	91.75	42.71	24.71	63.71
	5-0 x 8-2	13.53	20.78	93.75	23.16	13.53	40.54
	6-0 x 8-2	17.43	26.78	93.75	30.03	17.43	48.70
	8-0 x 8-2	25.24	38.78	93.75	43.78	25.24	65.04
3-PANEL DOORS	7-8 x 6-8	10.85	20.77	75.25	26.94	10.85	50.15
	9-2 x 6-8	13.99	26.77	75.25	34.94	13.99	60.09
	12-2 x 6-8	20.26	38.77	75.25	50.93	20.26	79.97
	7-8 x 6-10	11.21	20.77	77.75	28.00	11.21	51.73
	9-2 x 6-10	14.45	26.77	77.75	36.31	14.45	61.98
	12-2 x 6-10	20.93	38.77	77.75	52.92	20.93	82.48
	7-8 x 7-2	11.79	20.77	81.75	29.68	11.79	54.25
	9-2 x 7-2	15.19	26.77	81.75	38.49	15.19	65.00
	12-2 x 7-2	22.01	38.77	81.75	56.11	22.01	86.50
	7-8 x 8-0	13.23	20.77	91.75	33.90	13.23	60.56
	9-2 x 8-0	17.05	26.77	91.75	43.95	17.05	72.56
	12-2 x 8-0	24.70	38.77	91.75	64.07	24.70	96.56
	7-8 x 8-2	13.52	20.77	93.75	34.74	13.52	61.82
	9-2 x 8-2	17.43	26.77	93.75	45.05	17.43	74.07
	12-2 x 8-2	25.24	38.77	93.75	65.66	25.24	98.57
4-PANEL DOORS	9-10 x 6-8	22.09	42.28	75.25	35.93	22.09	64.73
	11-10 x 6-8	28.36	54.28	75.25	46.59	28.36	77.98
	15-10 x 6-8	40.91	78.28	75.25	67.91	40.91	104.48
	9-10 x 6-10	22.83	42.28	77.75	37.33	22.83	66.77
	11-10 x 6-10	29.31	54.28	77.75	48.41	29.31	80.43
	15-10 x 6-10	42.27	78.28	77.75	70.57	42.27	107.77
	9-10 x 7-2	24.00	42.28	81.75	39.58	24.00	70.02
	11-10 x 7-2	30.81	54.28	81.75	51.32	30.81	84.36
	15-10 x 7-2	44.44	78.28	81.75	74.81	44.44	113.02
	9-10 x 8-0	26.94	42.28	91.75	45.19	26.94	78.17
	11-10 x 8-0	34.58	54.28	91.75	58.60	34.58	94.17
	15-10 x 8-0	49.88	78.28	91.75	85.43	49.88	126.17
	9-10 x 8-2	27.53	42.28	93.75	46.32	27.53	79.80
	11-10 x 8-2	35.34	54.28	93.75	60.06	35.34	96.13
	15-10 x 8-2	50.96	78.28	93.75	87.55	50.96	128.80

^ASq. Ft. Overall Unit Area is calculated on the jamb dimension.
 Verify local or state egress opening sizes with your local building inspector.

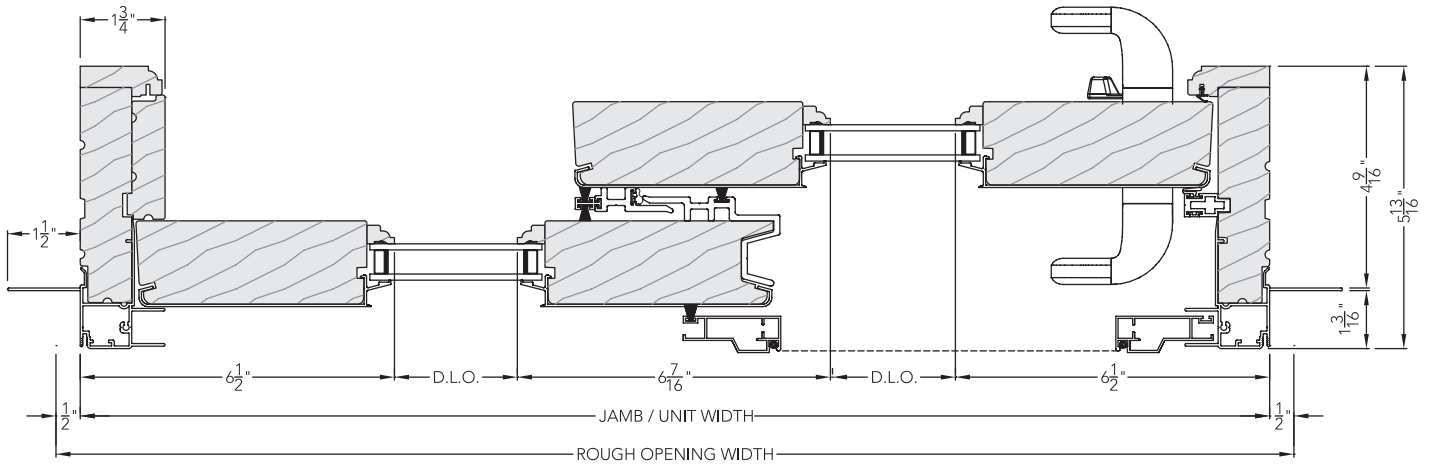
French Sliding Door (8715) Cross Sections



ELITE PREMIUM CLAD FRENCH SLIDING PATIO DOOR
Vertical Section



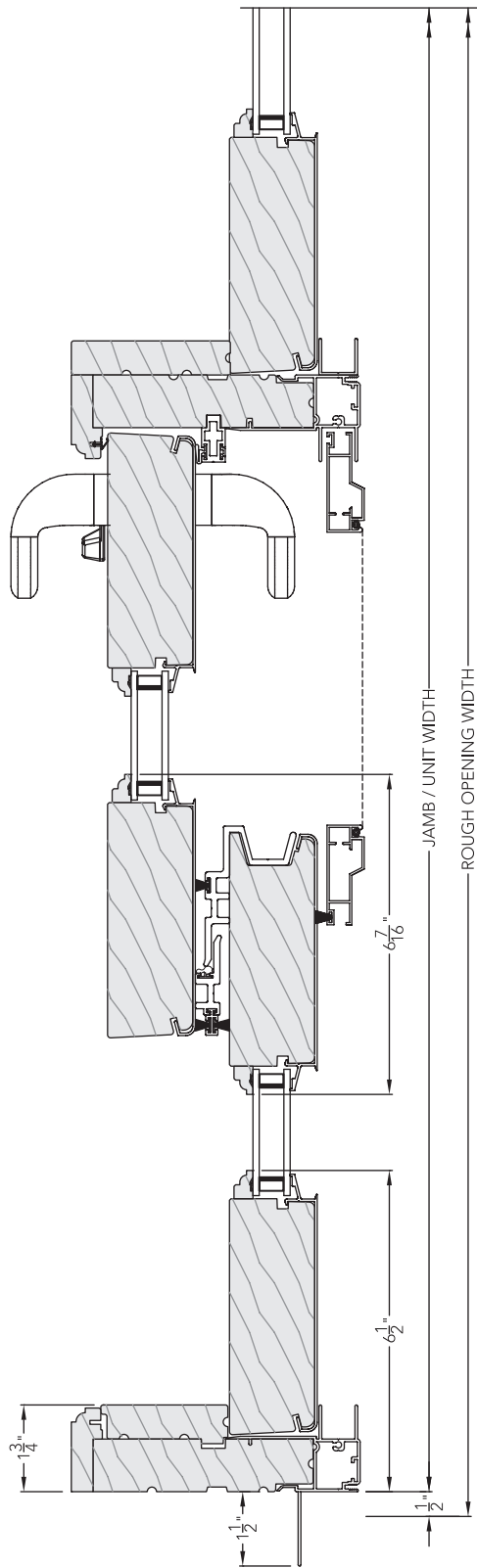
ELITE PREMIUM CLAD FRENCH SLIDING PATIO DOOR
Vertical Section - Fixed Sidelite



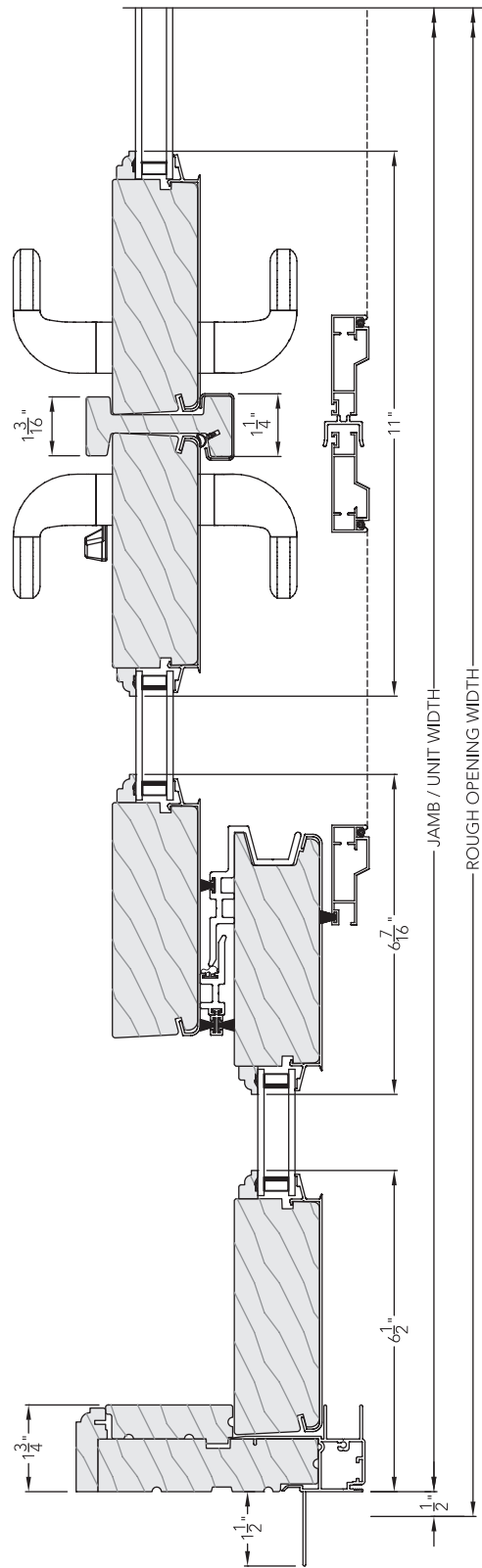
ELITE PREMIUM CLAD FRENCH SLIDING PATIO DOOR
Horizontal Section

French Sliding Door (8715) Cross Sections

SLIDING PATIO DOORS



ELITE PREMIUM CLAD FRENCH SLIDING PATIO DOOR
Horizontal Section - 3-Panel Door



ELITE PREMIUM CLAD FRENCH SLIDING PATIO DOOR
Horizontal Section - 4-Panel Door



CRESTLINE'S Lifetime Limited Warranty

Effective date August 1, 2014.

Subject to the conditions, exclusions and limitations that follow, the manufacturer of CRESTLINE products, ("CRESTLINE") warrants CRESTLINE products (Select 500™, Acclaim™, Elite Premium Clad, Elite Premium Primed, Select 500™ Replacement, and Elite Premium Replacement Windows and Doors) to be free from defects in material and workmanship as noted below. All referenced times are in relation to date of purchase.

Innovations: Wood Shield™, Symmetry Balance System™, TriCore™ Frame Technology, EasyCare®, Zo-e-shield®

WARRANTY COVERAGE

Insulated Glass Hermetic Seal – Lifetime

CRESTLINE warrants the insulated glass, if any, against failure of the hermetic seal. During the first twenty (20) years after the date of purchase, CRESTLINE's obligations under this warranty shall be limited to, at its option, repair or replacement of the insulated glass only (FOB the original point of delivery), or refund of the original purchase price of the insulated glass. After twenty (20) years from the date of purchase, CRESTLINE's obligations under this warranty shall be limited to granting a prorated credit against the then current list price of comparable new replacement insulated glass. Such credit shall be computed on the basis of the number of years from the date of purchase as follows:

Years from Date of Purchase	Amount of Credit
0 to 20.....	100%
21 to lifetime.....	10%

Vinyl Clad Products - Lifetime

CRESTLINE warrants its vinyl exterior cladding, to be free from defects in material and workmanship and to not rot, rust, crack, pit, corrode, peel, blister or flake. For any products or parts determined by CRESTLINE to contain defects in material or workmanship, CRESTLINE will, at its option, repair the product or parts at no charge, or provide replacements at no charge, or refund the original purchase price of the product or part containing the defect. Decisions as to whether to repair, replace, or refund shall be made by CRESTLINE, in its sole discretion.

Window and Patio Door Product – Twenty Years

CRESTLINE warrants that its products and insulated glass shall be free from defects in material or workmanship for a period of TWENTY (20) YEARS unless specified below. Should any CRESTLINE products or components of products be determined by CRESTLINE to contain defects in material or workmanship within the applicable warranty period, CRESTLINE will, at its option, repair the products or components at no charge, or provide replacement products or components at no charge, or refund the original purchase price of the products containing the defective components. Decisions as to whether to repair, replace or refund shall be made by CRESTLINE in its sole discretion. Replacements will be the closest equivalent current product and may not exactly match the original. Replacements will be delivered to the original point of purchase with no shipping charges. If shipment direct to the consumer is requested, normal shipping and handling charges will apply. Wood Rot - Wood Shield Clad Wood Products – Thirty Years Maintained primed /unprimed (unclad) wood products finished pursuant to installation instructions shall be warranted against wood rot for a period of TEN (10) years. Mildew and other discoloration due to condensation is not considered rot and not covered. Products in contact with the ground are not warranted against wood rot.

Laminated Glass – Five Years

Laminated glass shall be free from defects in material and workmanship for a period of FIVE (5) years.

Decorative Glass – Five Years

Decorative glass shall be free from defects in material and workmanship for a period of FIVE (5) years.

Factory-Applied Interior Finishes – Five Years

Factory-applied interior finish or stain is warranted against peeling, checking, or cracking for FIVE (5) years. Standard factory-applied primer is not a finish coat.

Hardware Finish – Ten Years

Corrosive-resistant finishes and seacoast hardware packages installed within one mile of a corrosive environment shall be warranted for TEN (10) years unless marred or scratched. The above conditions/exclusions apply.

Glass Stress Cracks – One Year

Glass shall be warranted against stress cracks for ONE (1) year.

Transferability – Ten Years

This warranty is transferable to subsequent owners. This transferred warranty is the lesser of TEN (10) years or the period specified from the date of manufacture.

NON COVERAGE

- Normal wear and tear, weathering and natural variations in wood color or texture are considered normal and not a product defect.
- Normal wear and tear of hardware and hardware finishes that can naturally occur (e.g. corrosion, tarnishing) or damage at construction site.
- Products not installed pursuant to our installation instructions attached to each unit.
- Minor scratches, slight glass curvature or glass imperfections are natural variances in glazing and do not impair structural integrity or significantly obscure normal vision.
- Repairs, refinishing or similar activities involved when skilled labor installs or replaces products.
- Condensation and any related water damage (such as mold or wood rot due to water or ice build up), which occur as a result of humidity within the property or changes in the interior/exterior temperatures, do not indicate a defect. Contact a heating/cooling specialist to assist.
- Products installed in a non-vertical position, discoloration of non-visible parts, or failures or operating difficulties due to accident, acts of God, abuse, misuse, alteration, exposure to the elements, improper or insufficient handling, storage, maintenance or service including, but not limited to, obstruction of weep holes. Installation of units must be finished and operated in accordance with our installation instructions attached to each unit.
- Failures or operating difficulties resulting from use of high-expansion foam insulation, incompatible sealant, cleaning agent, or exposure to corrosive, unusual, harmful or aggressive substances, acid rain, fumes or condensates, subjection to abnormal stress from localized application of heat, excessive vibration or movement of buildings or foundations or to other abnormal physical stress or use in high humidity areas.
- Products installed in buildings with cladding systems that do not allow for proper management/drainage of moisture (e.g. EIFS or synthetic stucco without an engineered drainage system).
- Vinyl parts or weather strip that has non-factory-applied paint or stain voids the warranty of the affected unit.
- Warpage or air/water infiltration on any swing door with a call-out height of greater than 6'10" unless CRESTLINE'S multi-point lock system is used with the door.
- Any installations at an altitude over 3,500 feet above sea level unless capillary tubes have been installed or a HIGH ALTITUDE GLASS PACKAGE is used, which provides limited coverage.
- Insulated True Divided Lite units.
- Products with wood surfaces that are not covered within thirty (30) days after purchase with a high-quality top coat of paint, sealer or varnish. The top coat should be applied as recommended by the paint manufacturer and it is the customer's responsibility to properly care for and protect the woodwork against moisture or excessive dryness.
- Products with factory-applied primer paint that are not covered with a finish coat within six (6) months of unit installation.
- Products or components not provided by CRESTLINE including but not limited to hardware locksets, strikes, or panning systems.
- CRESTLINE products that are stacked or mulled with products manufactured by others.
- Products with modifications (e.g. customer applied paint finishes, tints, films) or security systems without prior approval.



CRESTLINE'S Lifetime Limited Warranty, con't

Effective date August 1, 2014.

ADDITIONALLY

- Insulated units with capillary tubes will not have inert gas fill.
- ADA-compliant sills or telescoping, pocket and bifold patio door systems are not designed nor are they intended to manage moisture or water infiltration. The determination of proper building design and moisture management (through an overhang or otherwise) is the responsibility of your building designer, architect or contractor.
- Warping of a door shall not be deemed to be a product defect unless the warping is in the door panel itself and then only if the warping is more than one quarter inch. The amount of warp shall be determined by placing a taut wire or string or straightedge across the face of the installed door panel thought to be concave and measuring the amount of warp at the point of the greatest distance between the bottom of such wire, string or straightedge and the face of the door panel. CRESTLINE may, at its option, defer action on a warping claim for a period of not more than ONE (1) year from the date of the claim to permit the door panel to adjust to temperature and humidity in its installed position.
- The performance of windows and doors may be affected by factors beyond CRESTLINE'S control. Examples include handling and installation, construction details of the building, exposure conditions, maintenance, normal wear and tear, and migration of inert gas. Structural or thermal ratings are for comparison purposes only. While CRESTLINE products are manufactured to meet or exceed published ratings, it is not possible to guarantee that they will meet or exceed those ratings after they have been installed.
- CRESTLINE is not responsible for removing any defective products from the structure in which they are installed, or for installing any replacement products or components provided by CRESTLINE pursuant to this limited warranty, or for any painting, refinishing or other work necessary to complete the installation of replacement products or components, all of which shall be the consumer's responsibility.

GENERAL PROVISIONS

Selection and purchase of CRESTLINE products which conform to all applicable building codes and local ordinances is the sole responsibility of the architect, building contractor or homeowner. CRESTLINE assumes no responsibility for compliance with local building codes or ordinances, or for calculation and design of support mullions, structural support, or flashing required for installation. Consult with your local building code officials and/or a qualified contractor, architect or engineer for specific requirements.

THERE ARE NO OTHER EXPRESS WARRANTIES EXCEPT AS SET FORTH HEREIN. ANY IMPLIED WARRANTIES OF MERCHANTABILITY OR FITNESS FOR PARTICULAR PURPOSE ARE LIMITED IN DURATION TO THE PERIODS OF COVERAGE OF THE EXPRESS WARRANTIES SET FORTH IN THIS LIMITED WARRANTY. CRESTLINE SHALL NOT BE LIABLE FOR APPLICABLE TAXES OR ANY INCIDENTAL OR CONSEQUENTIAL DAMAGES INCLUDING, BUT NOT LIMITED TO, DAMAGE OR LOSS TO PERSONS OR OTHER PROPERTY.

Some states do not allow limitations on how long an implied warranty lasts, and some states do not allow the exclusion or limitation of incidental or consequential damages, so these limitations and exclusions may not apply to you. This warranty gives you specific legal rights, and you may also have other rights which vary from state to state.

TO GET ASSISTANCE

For further information, or to make a claim under The CRESTLINE Limited Lifetime Warranty, please contact the contractor who installed the product or the CRESTLINE retailer from whom the product was purchased or fill out an online service form. To find your closest retailer, please use the dealer locator on the web site (www.Crestlinewindows.com).

Online service form: www.Crestlinewindows.com

If you cannot find a local retailer, you may contact us at the below location.
CRESTLINE WINDOWS AND DOORS
P.O. Box 309 Medford, WI 54451

800-826-5509

Please provide the following information:

- a. Your name, address, daytime telephone number and e-mail address.
- b. A description of the product for which the claim is being made.
- c. Original proof of purchase (or approximate date if exact date is not known).
- d. The name of the CRESTLINE retailer from whom the product was purchased (if known).
- e. The nature of the product complaint.
- f. The coded information on the spacer between the panes of glass.

In cases relating to hardware, the customer may be invoiced for the replacement hardware at the list price and appropriate credit will be issued when the defective hardware has been returned to CRESTLINE.

Supplying replacement products or parts shall not extend the time period of the warranty and the replacement product or part shall be warranted only to the extent of the unexpired portion of the warranty period on the originally purchased product or part.

NO DISTRIBUTOR, SALESPERSON, DEALER, RETAILER OR OTHER REPRESENTATIVE OF CRESTLINE PRODUCTS HAS THE AUTHORITY TO ALTER OR CHANGE THESE WARRANTIES OR TO MAKE ANY OTHER WARRANTY EITHER ORALLY OR IN WRITING.

Effective Date: August 1, 2014



CRESTLINE®

ELITE PREMIUM WOOD WINDOWS & PATIO DOORS



ALUMINUM CLAD WINDOWS & PATIO DOORS



Crestline reserves the right to change product materials, specifications and methods of manufacture without prior notice. Please verify unit dimensions and/or rough openings with your local **MENARDS** store.